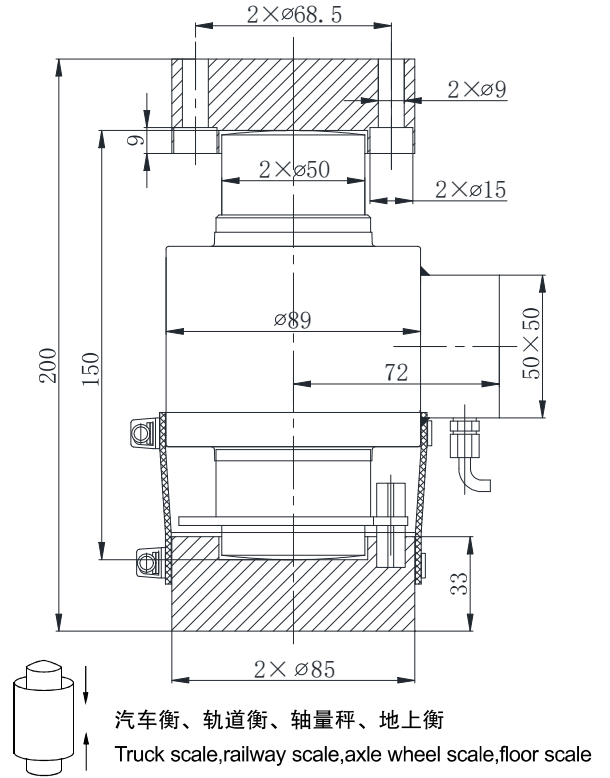


# ZS05

## Self-restoring rockerpin load cells



### Specifications 技术说明 Exc+激励正 (Red,红);Exc-激励负(Black,黑);Sig+信号正(Green,绿);Sig-信号负(White,白)

Item 项目	Unit 单位	Parameter 参数			
Accuracy class to OIML R60 精度等级		C 2		C 3	
<b>Maximum capacity (E<sub>max</sub>) 额定载荷</b>	<b>t</b>	<b>20,30,40,50</b>			
Minimum LC verification interval (V <sub>min</sub> ) 最小检定分度值	% of E <sub>max</sub>	0.0200	0.0100		
<b>Sensitivity (C<sub>n</sub>) / Zero balance 灵敏度/零点平衡</b>	<b>mV/V</b>	<b>2.0 ± 0.002 / 0 ± 0.02</b>			
Temperature effect on zero balance (TK <sub>0</sub> ) 温度对零点影响	% of C <sub>n</sub> /10K	±0.02	±0.0170		
Temperature effect on sensitivity (TK <sub>c</sub> ) 温度对灵敏度影响	% of C <sub>n</sub> /10K	±0.02	±0.0170		
Hysteresis error (d <sub>hy</sub> ) 滞后误差	% of C <sub>n</sub>	±0.0270	±0.0180		
Non-linearity(d <sub>lin</sub> ) 非线性误差	% of C <sub>n</sub>	±0.0250	±0.0167		
Creep(d <sub>cr</sub> ) over 30 min. 蠕变及蠕变恢复	% of C <sub>n</sub>	±0.030	±0.0167		
<b>Input (R<sub>ic</sub>) &amp; Output resistance (R<sub>o</sub>) 输入&amp;输出电阻</b>	<b>Ω</b>	<b>700 ± 20 &amp; 703 ± 3.5</b>			
<b>Nominal range of excitation voltage (B<sub>u</sub>) 额定电压</b>	<b>V</b>	<b>5~12</b>			
Insulation resistance (R <sub>is</sub> ) at 50Vdc 绝缘电阻	MΩ	>5000			
Service temperature range (B <sub>tu</sub> ) 工作温度	°C	-30...+70			
Safe load limit (E <sub>L</sub> ) & Breaking load(E <sub>d</sub> ) 安全承载&破坏载荷	% of E <sub>max</sub>	150 & 250			
<b>Protection class according to EN 60 529 (IEC 529) 保护等级</b>		<b>IP68</b>			
Material :Measuring element+housing 材料:测量元件 + 壳体		Stainless or alloy steel + Stainless steel			
Maximum capacity (E <sub>max</sub> ) 额定载荷	t	20	30	40	50
Min. scale verification (e <sub>min</sub> ) according to En45501 [...#]=max. Number of load cells 秤的最小检定分度值	kg	5 [6#] 10 [8#]	10 [8#]	10 [6#] 20 [8#]	10 [4#] 20 [10#]
Recommended maximum weighing capacity of scale 推荐秤的额定载荷	t	50 80	100	120 150	100 200
Deflection at E <sub>max</sub> (s <sub>nom</sub> ) ,approx 最大载荷下的变形量	mm	0.65	0.75	0.85	0.85
Weight(G),approx 重量	kg	3.2	3.6	3.6	3.8
Cable 电缆: Diameter 直径: ø5mm Length 长度	m	12	14	16	16