

ZS03-D

Digital self-restoring rockerpin load cells

Special features 特点

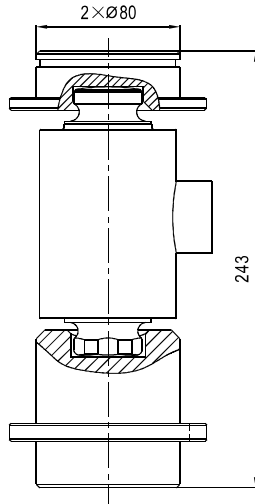
- Digital output signal (RS-485/4-wire)
- Nominal(rated) loads:15t...50t
- Self restoring rocker pin
- Stainless steel materials,laser welded,IP68
- Simple to install
- Inbuild overvoltage protection
- 数字信号输出 (RS485/四线制)
- 额定量程范围: 15t ~ 50t
- 自复位双摇柱结构
- 不锈钢材料, 激光焊接IP68
- 安装简便
- 内置过电压保护



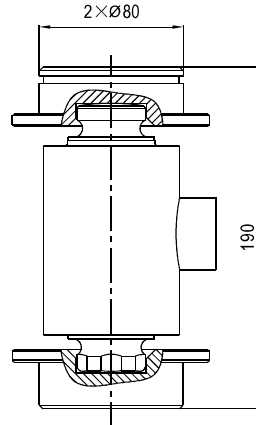
Specifications 技术说明

Item 项目	Unit 单位	Parameter 参数				
Accuracy class to OIML R60 精度等级		C 1		C 3		
Maximum capacity (Emax) 额定载荷	t	15,20,30,40,50				
Minimum LC verification interval (Vmin) 最小检定分度值	% of Emax	0.0200		0.0100		
Sensitivity (Cn) 灵敏度	digit	1 000 000				
Temperature effect on zero balance (TK0) 温度对零点影响	% of Cn/10K	±0.02		±0.0170		
Temperature effect on sensitivity (TKc) 温度对灵敏度影响	% of Cn/10K	±0.02		±0.0170		
Hysteresis error (dhy) 滞后误差	% of Cn	±0.0270		±0.0180		
Non-linearity(dlin) 非线性误差	% of Cn	±0.0250		±0.0167		
Creep(dcr) over 30 min. 蠕变及蠕变恢复	% of Cn	±0.030		±0.0167		
Current consumption 电流损耗	mA	<21				
Baudrate 波特率	Baud	9600				
Number of bus addresses 总线地址数		max.32				
Nominal range of excitation voltage (Bu) 额定电压	V(DC)	7~12				
Asynchrone Interface 异步接口		RS485/4-Wire				
Service temperature range (Btu) 工作温度	°C	-20...+60				
Safe load limit (El) & Breaking load(Ed) 安全承载&破坏载荷	% of Emax	150 & 200				
Protection class according to EN 60 529 (IEC 529) 保护等级		IP68				
Material :Measuring element 材料:测量元件 Cable fitting 电缆配件/Cable sheath 电缆护套		Stainless Stainless steel /PVC				
Maximum capacity (Emax) 额定载荷	t	15	20	30	40	50
Min. scale verification (emin) according to En45 501 [...#=#max. Number of load cells] 秤的最小检定分度值	kg	5 [6#]	5 [6#] 10 [8#]	10 [8#]	10 [6#] 20 [8#]	10 [4#] 20 [10#]
Recommended maximum weighing capacity of scale 推荐秤的额定载荷	t	30	50 80	100	100 150	100 200
Deflection at Emax (snom) ,approx 最大载荷下的变形量	mm	<0.55				
Weight(G),approx 重量	kg	2.1	2.3		2.8	
Cable 电缆: Diameter 直径: ∅6mm Length 长度	m	10	12		16	

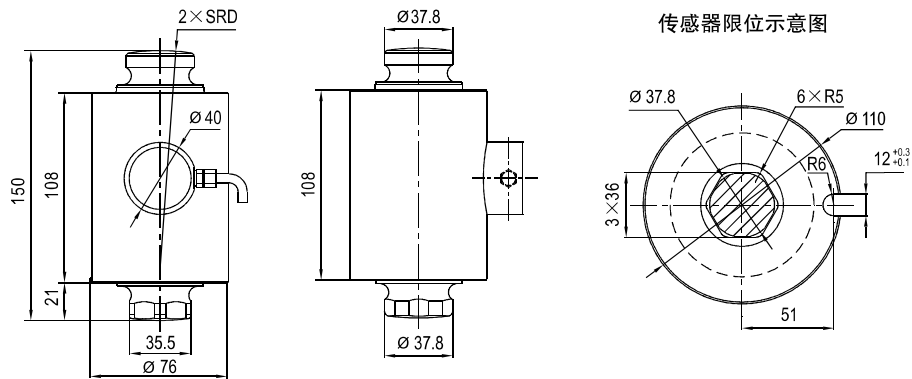
Mounting variation 1: 安装方式1:
含承载头组件



Mounting variation 2: 安装方式2:
含承载头组件



Dimensions 尺寸 (in mm; 1 mm=0.3937 inches)



传感器限位示意图

Mounting variation 1 and variation2: 安装方式1与2:

Maximum capacity (E _{max}) 额定载荷	t	15	20	30	40	50
R ball 球头半径	mm	160	160	160	200	305
a _{max} 最大允许倾斜角度	" ° "度	4.8	4.8	4.8	4.8	4.5
S _{max} 最大允许侧向偏移	mm	11	11	11	11	10

Further accessory: 其他附件
防尘垫, O型圈

Wiring code with computer 与电脑连接方式

