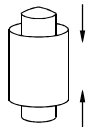
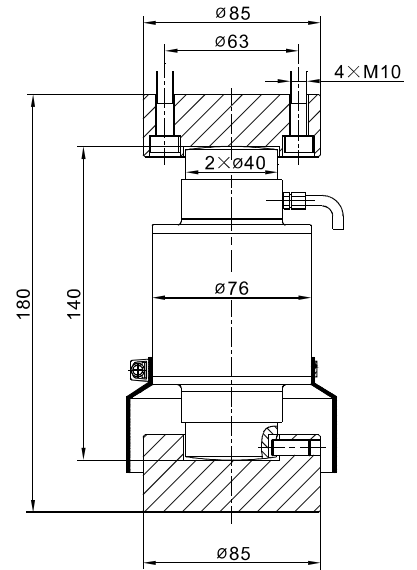


# ZS02/ZS02Y

## Self-restoring rockerpin load cells



汽车衡、轨道衡、轴量秤、地上衡  
Truck scale, railway scale, axle wheel scale, floor scale



### Specifications 技术说明 Exc+激励正 (Red,红);Exc-激励负(Black,黑);Sig+信号正(Green,绿);Sig-信号负(White,白)

Item 项目	Unit 单位	Parameter 参数			
Accuracy class to OIML R60 精度等级		C 2		C 3	
<b>Maximum capacity (E<sub>max</sub>) 额定载荷</b>	t	5, 10, 20, 30			
Minimum LC verification interval (V <sub>min</sub> ) 最小检定分度值	% of E <sub>max</sub>	0.0200		0.0100	
<b>Sensitivity (C<sub>n</sub>) / Zero balance 灵敏度/零点平衡</b>	mV/V	2.0 ± 0.002 / 0 ± 0.02			
Temperature effect on zero balance (TK <sub>0</sub> ) 温度对零点影响	% of C <sub>n</sub> /10K	± 0.02		± 0.0170	
Temperature effect on sensitivity (TK <sub>c</sub> ) 温度对灵敏度影响	% of C <sub>n</sub> /10K	± 0.02		± 0.0170	
Hysteresis error (d <sub>hy</sub> ) 滞后误差	% of C <sub>n</sub>	± 0.0270		± 0.0180	
Non-linearity(d <sub>lin</sub> ) 非线性误差	% of C <sub>n</sub>	± 0.0250		± 0.0167	
Creep(d <sub>cr</sub> ) over 30 min. 蠕变及蠕变恢复	% of C <sub>n</sub>	± 0.030		± 0.0167	
<b>Input (R<sub>LC</sub>) &amp; Output resistance (R<sub>0</sub>) 输入&amp;输出电阻</b>	Ω	ZS02: 400 ± 10 & 352 ± 3 ZS02Y: 700 ± 20 & 706 ± 7			
<b>Nominal range of excitation voltage (B<sub>u</sub>) 额定电压</b>	V	5~15			
Insulation resistance (R <sub>is</sub> ) at 50Vdc 绝缘电阻	M Ω	≥ 5000			
Service temperature range (B <sub>tu</sub> ) 工作温度	°C	-30...+70			
Safe load limit (E <sub>L</sub> ) & Breaking load (E <sub>d</sub> ) 安全承载&破坏载荷	% of E <sub>max</sub>	150 & 250			
<b>Protection class according to EN 60 529 (IEC 529) 保护等级</b>		IP68			
Material :Measuring element+housing 材料:测量元件 + 壳体		Stainless or alloy steel + Stainless steel			
Maximum capacity (E <sub>max</sub> ) 额定载荷	t	5	10	20	30
Min. scale verification (e <sub>min</sub> ) according to EN45501 [...#]=max. Number of load cells] 秤的最小检定分度值	kg	2 [4#]	5 [6#]	5 [6#]	10 [10#]
Deflection at E <sub>max</sub> (s <sub>nom</sub> ) ,approx 最大载荷下的变形量	mm	0.55	0.55	0.65	0.75
Weight(G),approx 重量	kg	2.8	2.9	3.0	3.1
Cable 电缆: Diameter 直径: Ø5mm Length 长度	m	8	10	12	15