

Mass flowmeter series YSK



YSK010



YSK100



YSK300



YSK400



YSKV200



YSKV300

Features

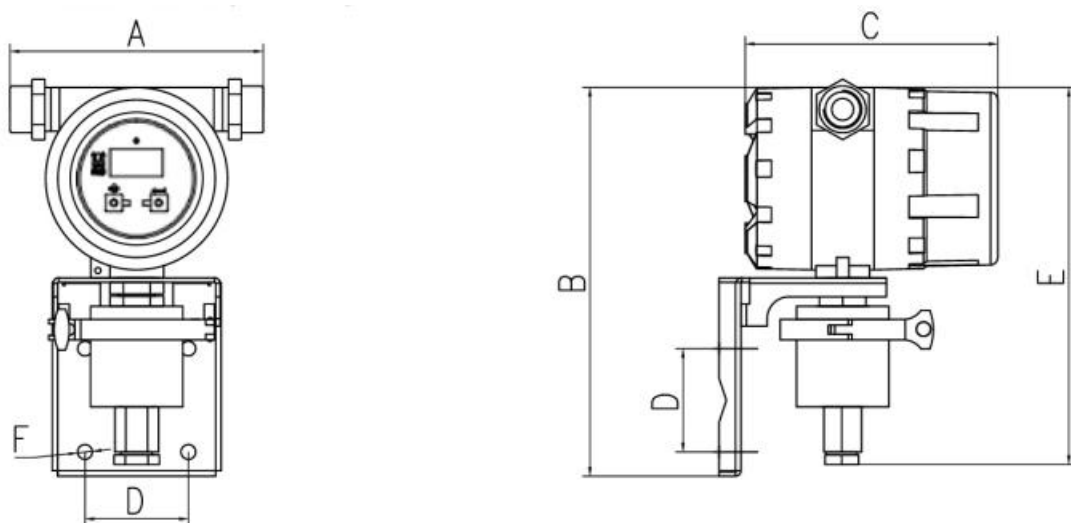
- Refined digital signal processing enables accurate and stable measurement.
- Fast response time, Suitable for small batch and short time filling.
- Wide Range Ratio, Range ratio up to 20:1.
- Long Service Life, Product design life is 20 years.
- Can achieve more accurate status indications, such as gas-liquid two-phase flow status reminders.
- Works based on the principle of Coriolis Force to realize the direct and precise measurement of the mass flow of fluid without conversion or correction of pressure, temperature, viscosity, density, etc. can directly measure the mass flow, total mass, volume flow, total volume. Can measure more variables and achieve more accurate status indications, such as gas-liquid two-phase flow status reminders.
- Mass flow meter can directly measure the quality of almost all the fluid, the application range is wide, including non-Newtonian fluids, various slurries, suspensions, high viscosity fluids, etc. And its installation requirement is not strict (low requirements for the front and rear straight pipe sections of the instrument), and it features reliable and stable operation, and low maintenance rate.

	Type	Flange Compatibility	Nominal Flow Rate ①kg/h	Maximum Flow Rate kg/h
	Mass flow	YSK010	DN5/DN8/DN10/DN15/DN20/DN25	96
YSK015		DN10/DN15/DN20/DN25	270	310
YSK025		DN15/DN20/DN25	1000	1420
YSK050		DN15/DN20/DN25	3,000	4,200
YSK100		DN25/DN32	15,200	21,600
YSK200		DN40/DN50/DN65	52,500	75,000
YSK300		DN80/DN100	155,000	220,000
YSK350		DN100/DN125/DN150	290,000	403,000
YSK400		DN150/(DN175)/DN200	462,000	652,000
YSK600		DN200/(DN225)/DN250	900,000	1,463,000
YSK800		DN200/(DN225)/DN250/DN300	1,604,000	2,350,000
YSK1200		DN250/DN300/DN350	2,380,000	3,266,000
YSKV200		DN40/DN50	52,000	87,000
YSKV300		DN80/DN100	133,000	238,000
Within 20:1 Range Ratio ②	Mass Flow Accuracy③		Mass Flow Repeatability	Volume Flow Accuracy④
	±0.1%		±0.025%	±0.1%
ZeroStability ⑤	YSK010	0.0072		
	YSK015	0.02025		
	YSK025	0.075		
	YSK050	0.15		
	YSK100	0.76		
	YSK200	2.62		
	YSK300	7.76		
	YSK350	21.75		
	YSK400	34.65		
	YSK600	67.5		
	YSK800	120.3		
	YSK1200	178.5		
	YSKV200	4.35		
	YSKV300	9.0		

- ① Nominal flow rate is the flow rate at which water at reference conditions causes approximately 0.1 MPa of pressure drop across the meter.
- ② Range ratio is the ratio of nominal flow and minimum flow.
- ③ Stated flow accuracy includes the combined effects of repeatability, linearity, hysteresis. Liquid indicators are based on water at 20–25 °C and 0.1–0.2 MPa reference conditions, unless otherwise stated.
- ④ The volume flow error is based on the process fluid with a density of 1g/cm³. For process fluids with a density other than 1g/cm³, the volume flow is equal to the mass flow / fluid density.
- ⑤ Zero stability is used when the flow rate approaches the low end of the flow range where the meter accuracy begins to deviate from the stated accuracy rating. The zero stability is measured under the condition of no mount stress.

Power Supply	AC Power Supply		85-265VAC, 50/60 HZ		
	DC Power Supply		18-100VDC		
Pressurization and Sealability	Perform CCS test upon the pressurized part of the flowmeter, test medium is water, and test pressure is 1.5 times of the nominal pressure. After 5 minutes, all connections present no penetration and no leakage.				
Analog communication (Two optional output channels)	It can be set according to site requirements: two-way current communication, two-way pulse communication or one-way current communication and one-way pulse communication.				
Pulse output	Output range		0~10kHz		
	Basic error		<1pulse		
	Temperature effect		±0.001%F.S/°C		
Digital communication	RS485 interface, Modbus communication protocol, HART Baud rate can be selected: 9600, 19200, 38400, etc. Multi-machine communication and Modbus connection are available.				
Current output	Output range		4-20mA		
	Basic error		±0.05%		
	Temperature effect		±0.005%F.S/°C		
Power consumption	BPM transmitter maximum power s11W				
Explosion-proof grade	Sensor		ExibIICT1~T6 Gb		
	Transmitter		Exd[ib]IICT6Gb		
	Explosion-proof performance conforms to GB3836.1, GB3836.2, GB3836.4.				
	Application: Suitable for Zone 1 and Zone 2 of explosive hazardous locations.				
	Equipment category IIC, backward compatible with IIA, IB.				
	Temperature group T1-T6. Separate or integrated installation of the sensor and transmitter does not affect the explosion-proof performance.				
Protection level	Sensor		IP66/IP67		
	Transmitter		IP66/IP67		
Density Performance Indicator (Liquid)	Density Accuracy①		Repeatability		Measurement Range
	±0.0005g/cm ³		±0.0001g/cm ³		0.2~2.0g/cm ³
	±0.5kg/m ³		±0.1kg/m ³		200~2000kg/m ³
	① Density Accuracy includes the effects of repeatability, linearity, and hysteresis. The density accuracy of ±0.0005g/cm ³ (±0.5kg/m ³) is based on water at 20 °C and (0.1-0.2)MPa reference conditions. Different operating conditions may lead to a decrease in accuracy.				
Temperature Performance Indicators	Accuracy	Repeatability	Temp. Limit②	Temp. Measurement Range	Ambient Temp.
	±0.2°C	±0.1°C	(-240~350)°C	(-240~350)°C	Working Temp. (-40~60) °C Storage Temp. (-40~70) °C
	② Temperature limit is defined as a temperature range that is installed at hazardous areas and further restricted by proof approvals.				

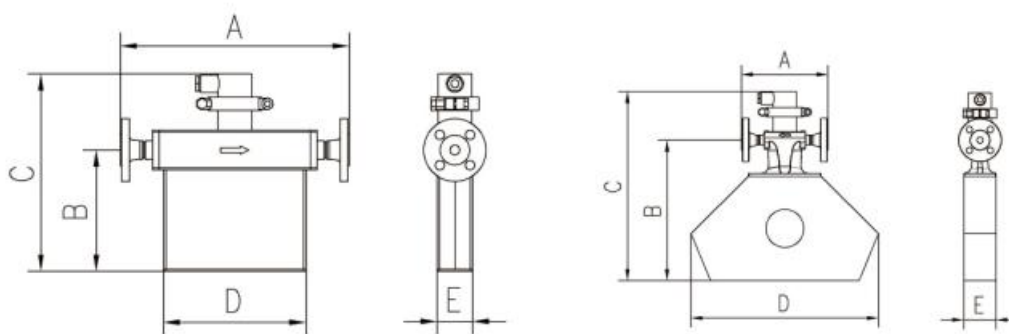
BPM-B Transmitter



(Unit:mm)

A	B	C	D	E	F
166	284	174	71	294	4- φ 10

YSK-Series Mass Flow Meter(Separate Mount)



YSK010/YSK015

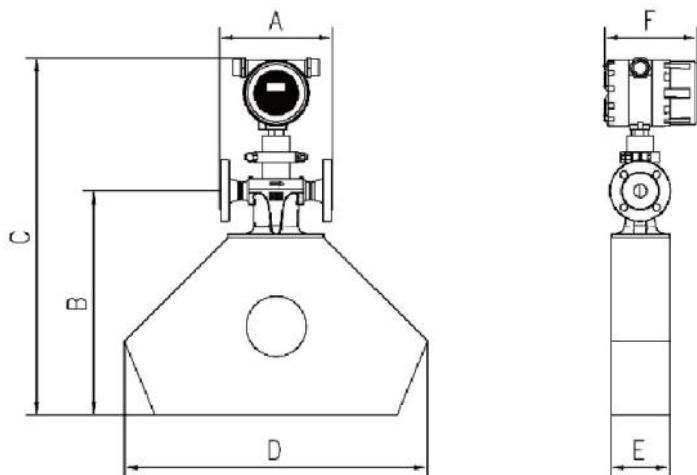
YSK025/YSK050/YSK100

! Note: Flange standard adopted, GB/T9124.1-2019 GB/T9124.2-2019

(Unit:mm)

Type	Flange Compatibility	A(Customizable)	B	C	D	E
YSK010	DN5/DN8/DN10/DN15/DN20/DN25	353~363	183	298	223	54
YSK015	DN10/DN15/DN20/DN25	345~355	183	298	216	54
YSK025	DN15/DN20/DN25	161~165	217	339	278	54
YSK050	DN15/DN20/DN25	189~193	306	412	410	70
YSK100	DN25/DN32	212~216	420	531	569	111

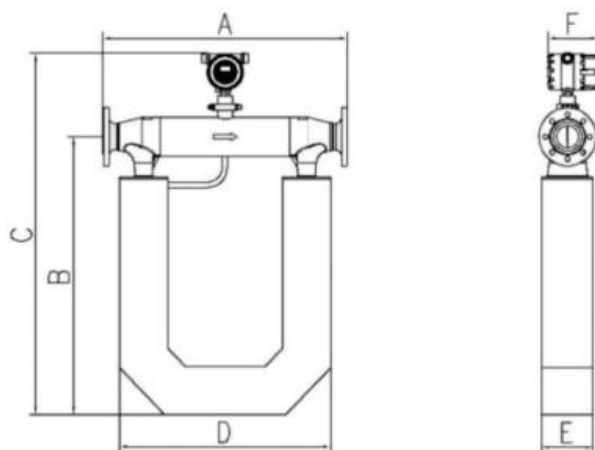
YSK100-Series Mass Flow Meter(Integral Mount)



! Note: Flange standard adopted, GB/T9124.1-2019 GB/T9124.2-2019

(Unit:mm)

Flange Compatibility	A	B	C	D	E	F
DN25/DN32	212~216	420	668	569	111	174

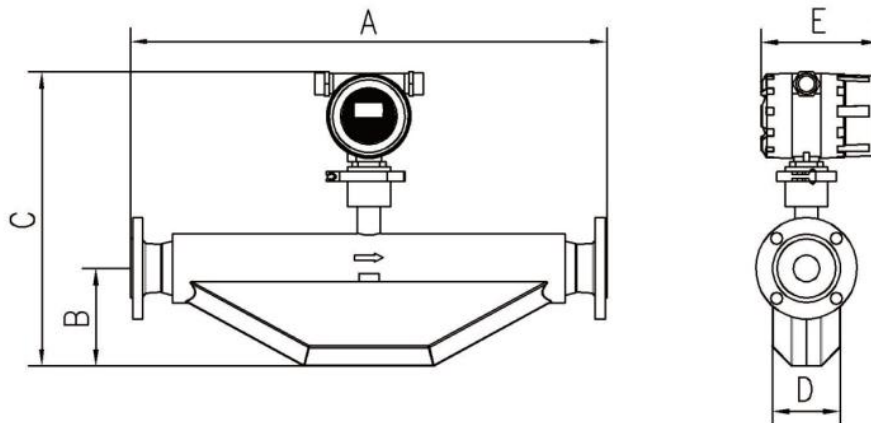


! Note: Flange standard adopted, GB/T9124.1-2019 GB/T9124.2-2019

(Unit:mm)

Type	Flange Compatibility	A(Customizable)	B	C	D	E	F
YSK200	DN40/DN50/DN65	582~596	681	932	491	125	174
YSK300	DN80/DN100	836~866	955	1243	726	176	174
YSK350	DN100/DN125/DN150	830~876	948	1235	720	234	174
YSK400	DN150/(DN175)/DN200	990~1056	1056	1362	800	280	174
YSK600	DN200/(DN225)/DN250	1023-1109	1244	1592	840	325	174
YSK800	DN200/(DN225)/DN250/DN300	1032-1138	1376	1718	884	397	174
YSK1200	DN250/DN300/DN350	1228-1330	1878	2285	815	491	174

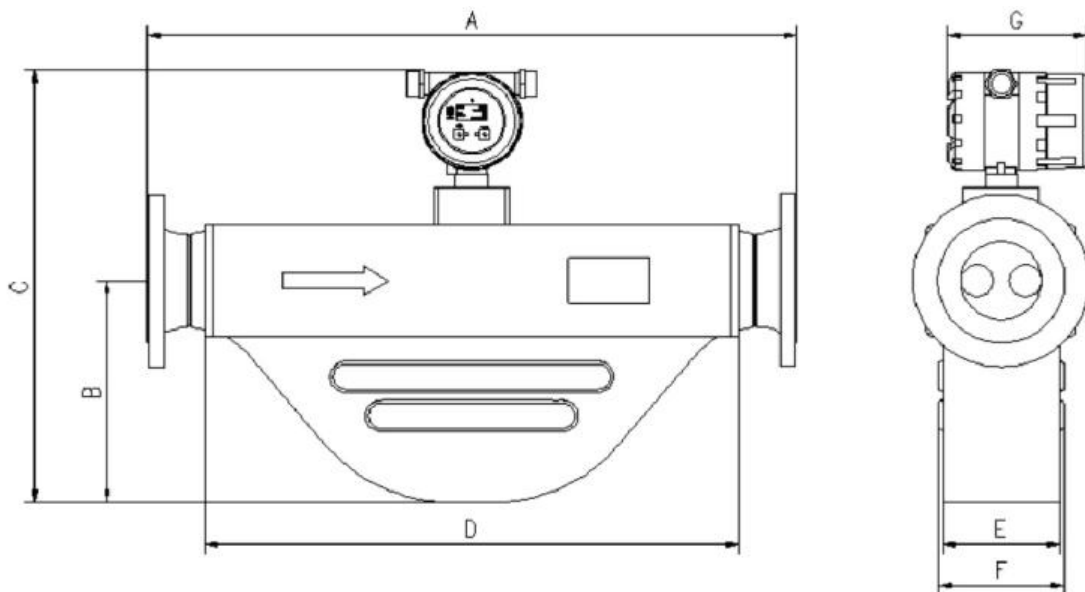
YSKV200Mass Flowmeter Sensor(Unit:mm)



(Unit:mm)

A(Customizable)	B	C	D	E
707~727	145	345	100	174

YSKV300 Mass Flowmeter Sensor



(Unit:mm)

A(Customizable)	B	C	D	E	F	G
805~900	283	551	663	145	155	174