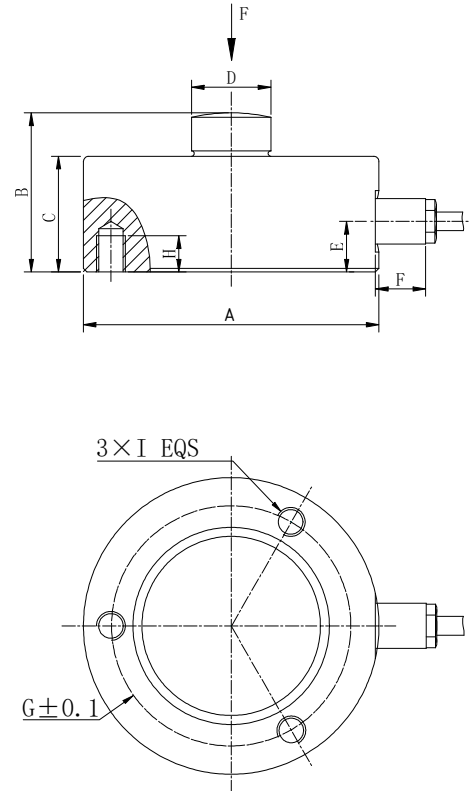


YBS04 Load cells



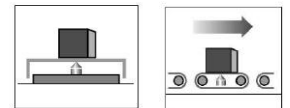
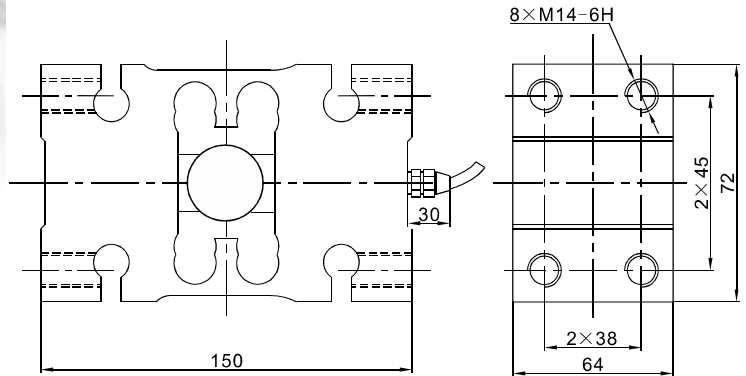
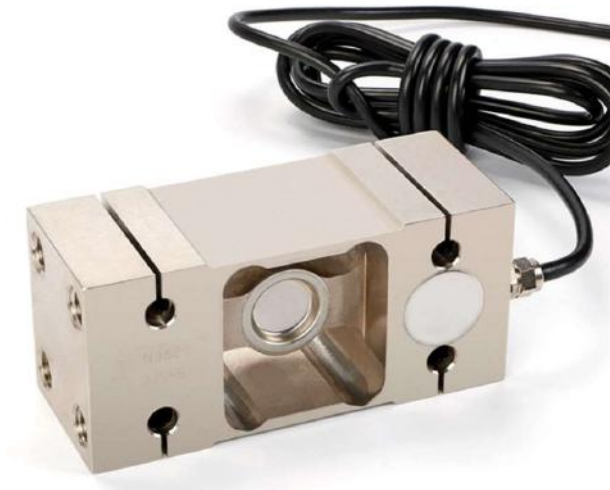
E _{max} [t]	1,3,5,10,15	30
A	∅82	∅100
B	44	48
C	32	35
D	∅22	∅28
E	14	14
F	18	18
G	∅70	∅80
H	17	23
I	M8	M10



Specifications 技术说明 Exc+激励正 (Red,红);Exc-激励负(Black,黑);Sig+信号正(Green,绿);Sig-信号负(White,白)

Item 项目	Unit 单位	Parameter 参数
Accuracy class 精度等级		0.05
Maximum capacity (E_{max}) 额定载荷	t	1,2,3,5,10,30
Minimum LC verification interval (V _{min}) 最小检定分度值	% of E _{max}	0.1
Sensitivity (C_n) / Zero balance 灵敏度/零点平衡	mV/V	2.0±0.005/0-0.02
Temperature effect on zero balance (TK ₀) 温度对零点影响	% of C _n /10K	±0.05
Temperature effect on sensitivity (TK _c) 温度对灵敏度影响	% of C _n /10K	±0.05
Hysteresis error (d _{hy}) 滞后误差	% of C _n	±0.5000
Non-linearity (d _{lin}) 非线性误差	% of C _n	±0.5000
Creep(d _{cr}) over 30 min. 蠕变及蠕变恢复	% of C _n	±0.5000
Input (R_{LC}) & Output resistance (R_o) 输入&输出电阻	Ω	750±20/702±3
Nominal range of excitation voltage (B_u) 额定电压	V	5~12
Insulation resistance (R _{is}) at 50Vdc 绝缘电阻	MΩ	≥5000
Service temperature range (B _{tu}) 工作温度	°C	-30...+70
Safe load limit (E _L) & Breaking load (E _d) 安全承载&破坏载荷	% of E _{max}	150 & 200
Protection class according to EN 60 529 (IEC 529) 保护等级		IP68
Material :Measuring element 材料:测量元件 Cable fitting 电缆配件/Cable sheath 电缆护套		Stainless or alloy steel Nickel-plated brass/PVC
Deflection at E _{max} (s _{nom}), approx 最大载荷下的变形量	mm	<0.07
Weight(G),approx 重量	kg	1.5
Cable 电缆: Diameter 直径: ∅5mm Length 长度	m	4.5

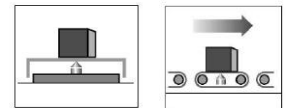
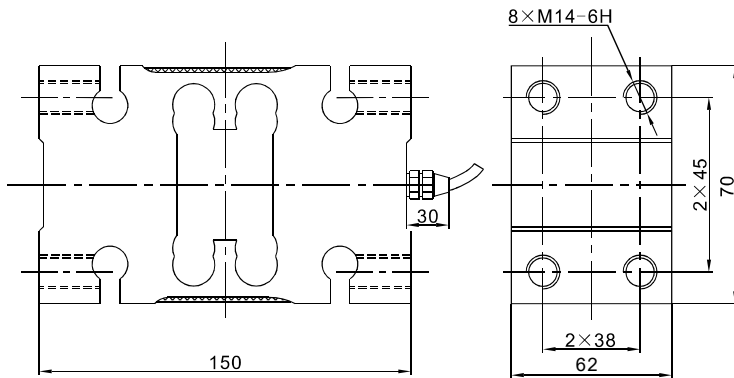
XS01 Load cells



Specifications 技术说明 Exc+激励正 (Red,红);Exc-激励负(Black,黑);Sig+信号正(Green,绿);Sig-信号负(White,白)

Item 项目	Unit 单位	Parameter 参数					
		C 2	C 3				
Accuracy class to OIML R60 精度等级		C 2	C 3				
Maximum capacity (Emax) 额定载荷	kg	250,300,500,1000					
Sensitivity (Cn) / Zero balance 灵敏度/零点平衡	mV/V	2.0 ± 0.2 / 0 ± 0.1					
Temperature effect on zero balance (TK0) 温度对零点影响	% of Cn/10K	± 0.0175	± 0.0140				
Temperature effect on sensitivity (TKc) 温度对灵敏度影响	% of Cn/10K	± 0.0175	± 0.0140				
Hysteresis error (dhy) 滞后误差	% of Cn	± 0.02	± 0.0150				
Non-linearity(dlin) 非线性误差	% of Cn	± 0.0270	± 0.0167				
Creep(dcr) over 30 min. 蠕变及蠕变恢复	% of Cn	± 0.0250	± 0.0167				
Eccentric error 四角误差	%	± 0.0233					
Input (RLC) & Output resistance (Ro) 输入&输出电阻	Ω	400±15 & 352±3					
Nominal range of excitation voltage (Bu) 额定电压	V	5~15					
Insulation resistance (Ris) at50Vdc 绝缘电阻	MΩ	≥ 5000					
Service temperature range (Btu) 工作温度	°C	-20...+50					
Safe load limit (EL) & Breaking load(Ed) 安全承载&破坏载荷	% of Emax	120 & 200					
Protection class according to EN 60 529 (IEC 529) 保护等级		IP65					
Material :Measuring element 材料:测量元件		合金钢 Alloy Steel					
Maximum capacity (Emax) 额定载荷	kg	50	100	200	300	500	750
Min. load cell verification inter(vmin) 最小检定分度值	g	20	20	50	50	100	100
Maximum platform size 最大秤台尺寸	mm	800×800					
Deflection at Emax (snom) ,approx最大载荷下的变形量	mm	< 0.6					
Weight(G),approx 重量	kg	4.3			4.5		
Cable 电缆: Diameter 直径: ∅5mm Length 长度	m	3m					
Mounting:Cylindrical head screw 装配:内六角圆柱头螺钉		M14-10.9					
Tightening torque 螺丝紧固力矩	N. m	35N.m					

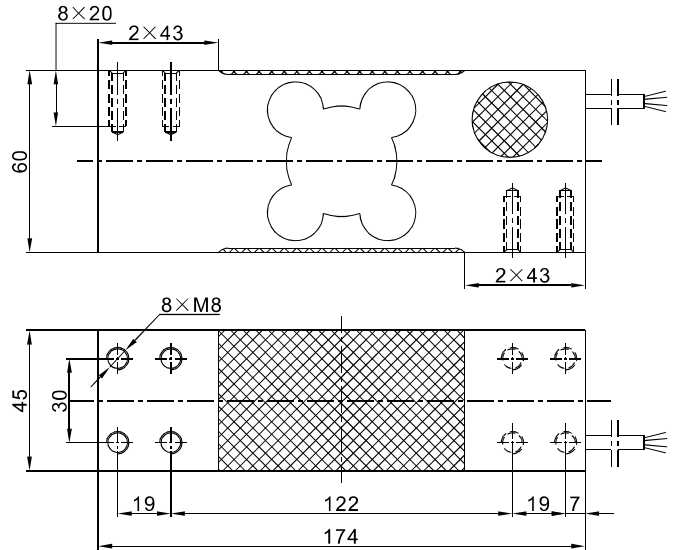
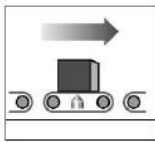
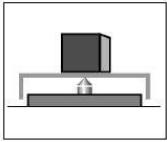
XS02 Load cells



Specifications 技术说明 Exc+激励正 (Red,红);Exc-激励负(Black,黑);Sig+信号正(Green,绿);Sig-信号负(White,白)

Item 项目	Unit 单位	Parameter 参数					
		C 2	C 3				
Accuracy class to OIML R60 精度等级		C 2	C 3				
Maximum capacity (Emax) 额定载荷	kg	50,100,200,300,500,750					
Sensitivity (Cn) / Zero balance 灵敏度/零点平衡	mV/V	2.0 ± 0.2 / 0 ± 0.1					
Temperature effect on zero balance (TK0) 温度对零点影响	% of Cn/10K	± 0.0175	± 0.0140				
Temperature effect on sensitivity (TKc) 温度对灵敏度影响	% of Cn/10K	± 0.0175	± 0.0140				
Hysteresis error (d _{hy}) 滞后误差	% of Cn	± 0.02	± 0.0150				
Non-linearity(d _{lin}) 非线性误差	% of Cn	± 0.0270	± 0.0167				
Creep(d _{cr}) over 30 min. 蠕变及蠕变恢复	% of Cn	± 0.0250	± 0.0167				
Eccentric error 四角误差	%	± 0.0233					
Input (RLC) & Output resistance (Ro) 输入&输出电阻	Ω	382 ± 15 & 352 ± 3					
Nominal range of excitation voltage (Bu) 额定电压	V	5~15					
Insulation resistance (Ris) at 50Vdc 绝缘电阻	M Ω	≥ 5000					
Service temperature range (B _{tu}) 工作温度	°C	-20...+50					
Safe load limit (EL) & Breaking load(Ed) 安全承载&破坏载荷	% of Emax	120 & 200					
Protection class according to EN 60 529 (IEC 529) 保护等级		IP65					
Material :Measuring element 材料:测量元件		合金钢 Alloy Steel					
Maximum capacity (Emax) 额定载荷	kg	50	100	200	300	500	750
Min. load cell verification inter(vmin) 最小检定分度值	g	20	20	50	50	100	100
Maximum platform size 最大秤台尺寸	mm	800 × 800					
Deflection at Emax (s _{nom}) ,approx最大载荷下的变形量	mm	< 0.6					
Weight(G),approx 重量	kg	4.3			4.5		
Cable 电缆: Diameter 直径: ∅5mm Length 长度	m	3m					
Mounting:Cylindrical head screw 装配:内六角圆柱头螺钉		M14-10.9					
Tightening torque 螺丝紧固力矩	N. m	35N.m					

XS03 Load cells

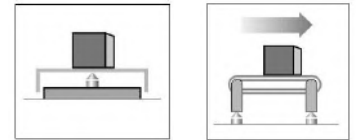
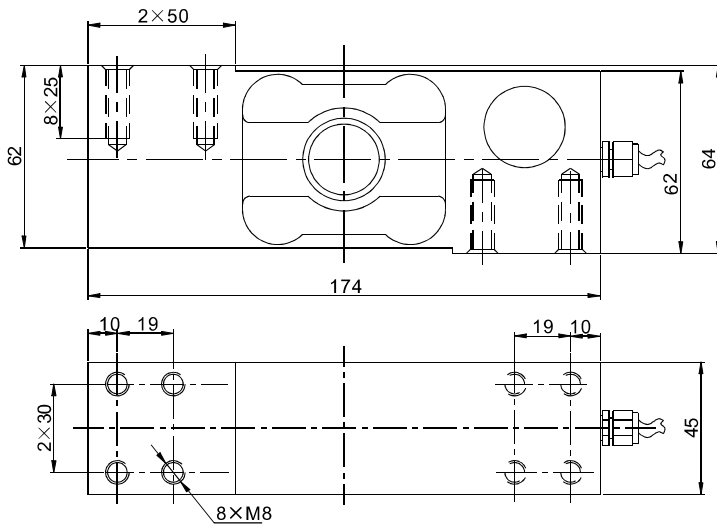


Specifications 技术说明 Exc+激励正 (Red,红);Exc-激励负(Black,黑);Sig+信号正(Green,绿);Sig-信号负(White,白)

Item 项目	Unit 单位	Parameter 参数	
Accuracy class to OIML R60 精度等级		C 2	C 3
Maximum capacity (Emax) 额定载荷	kg	50,100,150,200,250,300,500,800	
Sensitivity (Cn) / Zero balance 灵敏度/零点平衡	mV/V	2.0± 0.2 / 0± 0.1	
Temperature effect on zero balance (TK0) 温度对零点影响	% of Cn/10K	± 0.0175	± 0.0140
Temperature effect on sensitivity (TKc) 温度对灵敏度影响	% of Cn/10K	± 0.0175	± 0.0140
Hysteresis error (dhy) 滞后误差	% of Cn	± 0.02	± 0.0150
Non-linearity(dlin) 非线性误差	% of Cn	± 0.0270	± 0.0167
Creep(dcr) over 30 min. 蠕变及蠕变恢复	% of Cn	± 0.0250	± 0.0167
Eccentric error 四角误差	%	± 0.0233	
Input (RLc) & Output resistance (Ro) 输入&输出电阻	Ω	400 ± 20 & 352 ± 3	
Nominal range of excitation voltage (Bu) 额定电压	V	5~15	
Insulation resistance (Ris) at 50Vdc 绝缘电阻	MΩ	≥ 5000	
Service temperature range (Btu) 工作温度	°C	-30...+70	
Safe load limit (EL) & Breaking load(Ed) 安全承载&破坏载荷	% of Emax	120 & 200	
Protection class according to EN 60 529 (IEC 529) 保护等级		IP65	
Material :Measuring element 材料:测量元件		合金钢 Alloy steel 不锈钢 Stainless Steel	

Maximum capacity (Emax) 额定载荷	kg	50	100	150	200	250	300	500	800
Min. load cell verification inter(vmin) 最小检定分度值	g	10	20	20	50	50	50	100	100
Maximum platform size 最大秤台尺寸	mm	500 × 500							
Deflection at Emax (snom) ,approx 最大载荷下的变形量	mm	< 0.6							
Weight(G),approx 重量	kg	2.9							
Cable 电缆: Diameter 直径: Ø5mm Length 长度	m	3							
Mounting:Cylindrical head screw 装配:内六角圆柱头螺钉		M8-10.9(800kg);M8-12.9							
Tightening torque 螺丝紧固力矩	N . m	25N.m(800kg);35N.m							

XS04 Load cells



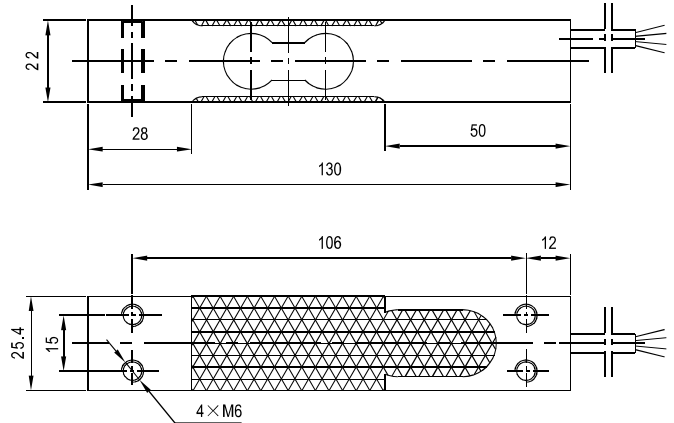
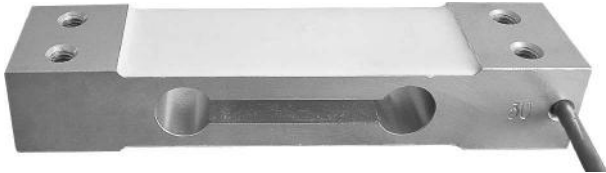
Specifications 技术说明 Exc+激励正 (Red,红);Exc-激励负(Black,黑);Sig+信号正(Green,绿);Sig-信号负(White,白)

Item 项目	Unit 单位	Parameter 参数
Accuracy class 精度等级		0.03,0.05
Maximum capacity (Emax) 额定载荷	kg	250, 300, 500, 800, 1000
Sensitivity (Cn) / Zero balance 灵敏度/零点平衡	mV/V	2±0.2 / 0±0.1
Temperature effect on zero balance (TK0) 温度对零点影响	% of Cn/10K	± 0.0175
Temperature effect on sensitivity (TKc) 温度对灵敏度影响	% of Cn/10K	± 0.0175
Hysteresis error (dhy) 滞后误差	% of Cn	± 0.02
Non-linearity(dlin) 非线性误差	% of Cn	± 0.0270
Creep(dcr) over 30 min. 蠕变及蠕变恢复	% of Cn	± 0.0250
Eccentric error 四角误差	%	± 0.0233
Input (RLc) & Output resistance (Ro) 输入&输出电阻	Ω	400±20 & 352±3
Nominal range of excitation voltage (Bu) 额定电压	V	5~15
Insulation resistance (Ris) at50Vdc 绝缘电阻	MΩ	> 5000
Service temperature range (Btu) 工作温度	℃	-20...+50
Safe load limit (EL) & Breaking load(Ed) 安全承载&破坏载荷	% of Emax	150 & 200
Protection class according to EN 60 529 (IEC 529) 保护等级		IP67
Material :Measuring element 材料:测量元件		合金钢 Alloy steel 不锈钢 Stainless Steel

Maximum capacity (Emax) 额定载荷	kg	250	300	500	800	1000
Min. load cell verification inter(vmin) 最小检定分度值	kg	0.05	0.1	0.1	0.2	0.2
Maximum platform size 最大秤台尺寸	mm	600×500				
Deflection at Emax (snom), approx最大载荷下的变形量	mm	< 0.5				
Weight(G), approx 重量	kg	1.8				
Cable 电缆: Diameter 直径: ∅5mm Length 长度	m	3				
Mounting:Cylindrical head screw 装配:内六角圆柱头螺钉		M8-10.9(800~1000kg:M8-12.9)				
Tightening torque 螺丝紧固力矩	N. m	25N.m(800~1000kg:35N.m)				

XS05

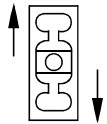
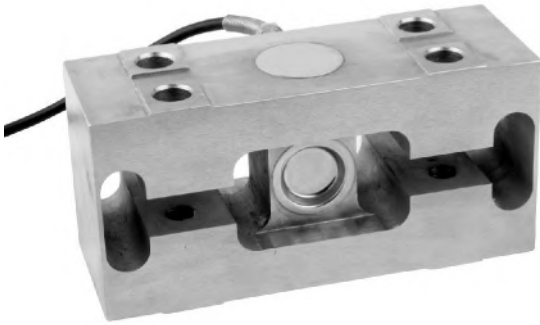
Load cells



Specifications 技术说明 Exc+激励正 (Red,红);Exc-激励负(Black,黑);Sig+信号正(Green,绿);Sig-信号负(White,白)

Item 项目	Unit 单位	Parameter 参数				
Accuracy class to OIML R60 精度等级		C 2		C 3		
Maximum capacity (E_{max}) 额定载荷	kg	10,15,20,30,40				
Sensitivity (C_n) / Zero balance 灵敏度/零点平衡	mV/V	2.0 ± 0.2 / 0 ± 0.1				
Temperature effect on zero balance (TK ₀) 温度对零点影响	% of C _n /10K	±0.02		±0.0170		
Temperature effect on sensitivity (TK _c) 温度对灵敏度影响	% of C _n /10K	±0.02		±0.0170		
Hysteresis error (d _{hy}) 滞后误差	% of C _n	±0.02		±0.0180		
Non-linearity(d _{lin}) 非线性误差	% of C _n	±0.0270		±0.0167		
Creep(d _{cr}) over 30 min. 蠕变及蠕变恢复	% of C _n	±0.0250		±0.0167		
Eccentric error 四角误差	% of C _n	±0.0233				
Input (R_{Lc})&Output resistance (R_o) 输入&输出电阻	Ω	400 ± 20 & 352 ± 3				
Nominal range of excitation voltage (B_u) 额定电压	V	5~12				
Insulation resistance (R _{is}) at 50Vdc 绝缘电阻	MΩ	≥ 5000				
Service temperature range (B _{tu}) 工作温度	°C	-20...+50				
Safe load limit (E _L) & Breaking load(E _d) 安全承载&破坏载荷	% of E _{max}	120 & 200				
Protection class according to EN 60 529 (IEC 529) 保护等级		IP65				
Material :Measuring element 材料:测量元件		Alloy steel				
Maximum capacity (E _{max}) 额定载荷	kg	10	15	20	30	40
Min. load cell verification inter(v _{min}) 最小检定分度值	g	2	5	5	5	10
Deflection at E _{max} (s _{nom}) ,approx最大载荷下的变形量	mm	<0.5				
Weight(G),approx 重量	kg	0.17				
Cable 电缆: Diameter 直径: ø5mm Length长度	m	1.5				
Mounting:Cylindrical head screw 装配:内六角圆柱头螺钉		M6-8.8				
Tightening torque 螺丝紧固力矩	N.m	10N.m				

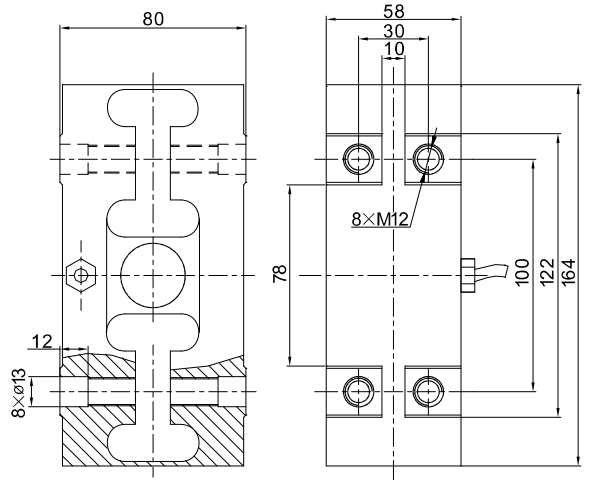
XS06 Load cells



Forklift scale, crane mechanism
叉车秤、起重机械

Special features 特点

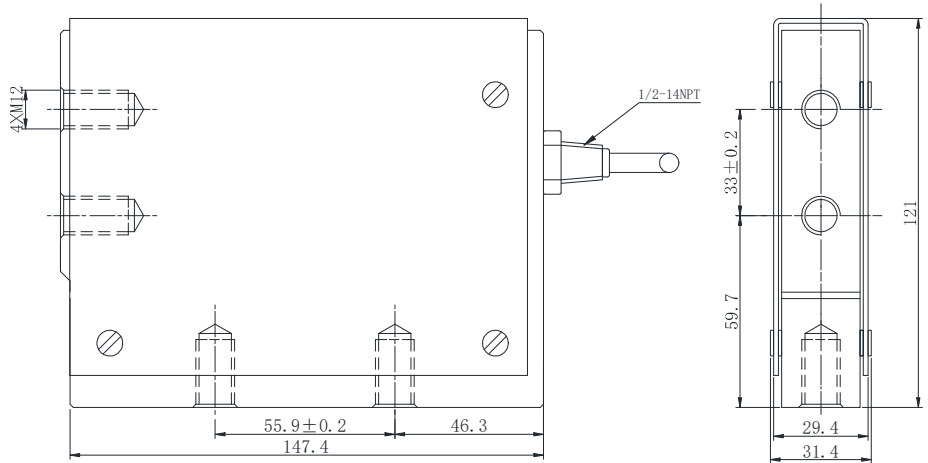
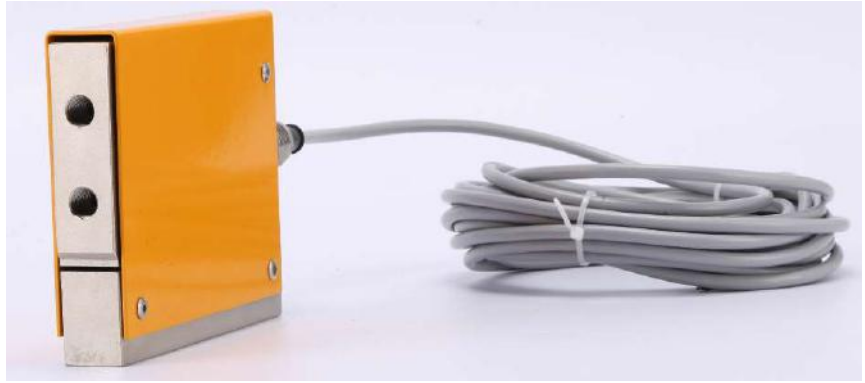
- Inoxydable materials, laser sealed, IP68
- Complies with OIML R60 regulations up to 1000d
- Especially for use in refuse collectors and for wall mounting of tanks
- 耐腐蚀性材料，激光焊接，IP68
- 根据OIML R60可达1000d
- 尤其适用于垃圾回收应用，罐的墙体安装



Specifications 技术说明 Exc+激励正 (Red,红);Exc-激励负(Black,黑);Sig+信号正(Green,绿);Sig-信号负(White,白)

Item 项目	Unit 单位	Parameter 参数	
Accuracy class to OIML R60 精度等级		D1	C 1
Maximum capacity (E_{max}) 额定载荷	kg	550,880	
Minimum LC verification interval (V _{min}) 最小检定分度值	% of E _{max}	0.0357	0.0180
Sensitivity (C_n) / Zero balance 灵敏度/零点平衡	mV/V	1.2 ± 0.006 / 0+0.03	
Temperature effect on zero balance (TK ₀) 温度对零点影响	% of C _n /10K	±0.03	
Temperature effect on sensitivity (TK _c) 温度对灵敏度影响	% of C _n /10K	±0.03	
Hysteresis error (d _{hy}) 滞后误差	% of C _n	±0.0500	
Non-linearity(d _{lin}) 非线性误差	% of C _n	±0.0500	
Creep(d _{cr}) over 30 min. 蠕变及蠕变恢复	% of C _n	±0.0490	
Input (R_{LC})&Output resistance (R_o) 输入&输出电阻	Ω	400 ± 20 & 352 ± 3	
Nominal range of excitation voltage (B_u) 额定电压	V	5~12	
Insulation resistance (R _{is}) at 50Vdc 绝缘电阻	MΩ	>5000	
Service temperature range (B _{tu}) 工作温度	°C	-30...+70	
Safe load limit (E _L) & Breaking load(E _d) 安全承载&破坏载荷	% of E _{max}	150 & 300	
Permissible dynamic load(F _{srel}) 允许动态承载 (Vibration amplitude according to DIN 50100)	% of E _{max}	70	
Protection class according to EN 60 529 (IEC 529)保护等级		IP68	
Material :Measuring element 材料:测量元件		Stainless or alloy steel	
Maximum capacity (E _{max}) 额定载荷	kg	550	880
Deflection at E _{max} (s _{nom}) ,approx最大载荷下的变形量	mm	0.35	
Weight(G),approx 重量	kg	3.5	
Cable 电缆: Diameter 直径:ø6mm Length长度	m	3	

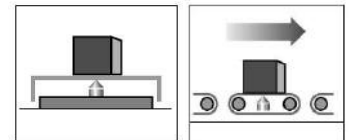
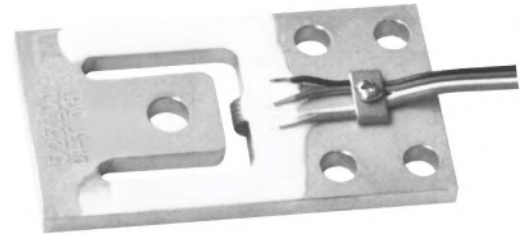
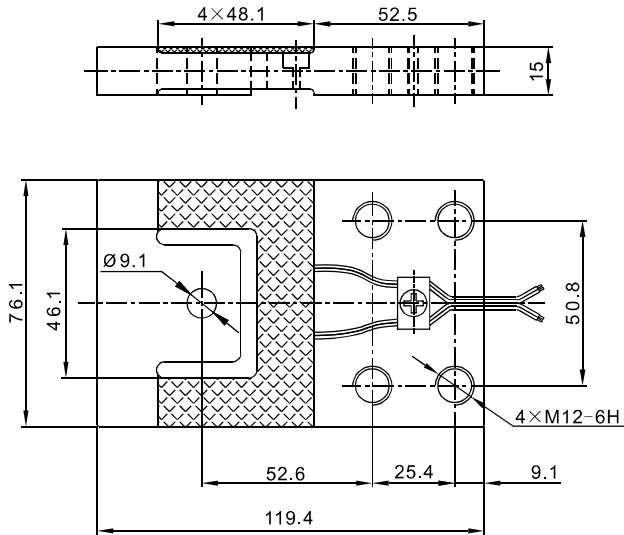
XS07 Load cells



Specifications 技术说明 Exc+激励正 (Red,红);Exc-激励负(Black,黑);Sig+信号正(Green,绿);Sig-信号负(White,白)

Item 项目	Unit 单位	Parameter 参数
Accuracy class to OIML R60 精度等级		0.03
Maximum capacity (E_{max}) 额定载荷	lb	250,500,1000
Minimum LC verification interval (V _{min}) 最小检定分度值	% of E _{max}	0.0180
Sensitivity (C_n) / Zero balance 灵敏度/零点平衡	mV/V	2.0±0.005/0±0.03
Temperature effect on zero balance (TK ₀) 温度对零点影响	% of C _n /10K	±0.0175
Temperature effect on sensitivity (TK _c) 温度对灵敏度影响	% of C _n /10K	±0.0175
Hysteresis error (d _{hy}) 滞后误差	% of C _n	±0.03
Non-linearity(d _{lin}) 非线性误差	% of C _n	±0.03
Creep(d _{cr}) over 30 min. 蠕变及蠕变恢复	% of C _n	±0.03
Input (R_{Lc})&Output resistance (R_o) 输入&输出电阻	Ω	400±20 & 352±3
Nominal range of excitation voltage (B_u) 额定电压	V	5~12
Insulation resistance (R _{is}) at 50Vdc 绝缘电阻	MΩ	>5000
Service temperature range (B _{tu}) 工作温度	℃	-30...+70
Safe load limit (E _L) & Breaking load(E _d) 安全承载&破坏载荷	% of E _{max}	150 & 300
Permissible dynamic load(F _{srel}) 允许动态承载 (Vibration amplitude according to DIN 50100)	% of E _{max}	70
Protection class according to EN 60 529 (IEC 529)保护等级		Ip66
Material :Measuring element 材料:测量元件		Stainless or alloy steel
Maximum capacity (E_{max}) 额定载荷	lb	250,500,1000
Deflection at E _{max} (s _{nom}), approx 最大载荷下的变形量	mm	0.5
Weight(G),approx 重量	kg	3.2
Cable 电缆: Diameter 直径:∅6mm Length长度	m	6

SP01 Load cells



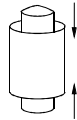
Specifications 技术说明 Exc+激励正 (Red,红);Exc-激励负 (Black,黑);Sig+信号正 (Green,绿);Sig-信号负 (White,白)

Item 项目	Unit 单位	Parameter 参数
Accuracy class to OIML R60 精度等级		D1
Maximum capacity (E_{max}) 额定载荷	kg	500,800
Sensitivity (C_n) / Zero balance 灵敏度/零点平衡	mV/V	2.0±0.2 / 0±0.1
Temperature effect on zero balance (TK ₀) 温度对零点影响	% of C _n /10K	± 0.0175
Temperature effect on sensitivity (TK _c) 温度对灵敏度影响	% of C _n /10K	± 0.0175
Hysteresis error (d _{hy}) 滞后误差	% of C _n	± 0.0500
Non-linearity(d _{lin}) 非线性误差	% of C _n	± 0.0500
Creep(d _{cr}) over 30 min. 蠕变及蠕变恢复	% of C _n	± 0.0250
Input (R_{Lc}) & Output resistance (R_o) 输入&输出电阻	Ω	1100±10 & 1002±3
Nominal range of excitation voltage (B_u) 额定电压	V	5~15
Insulation resistance (R _{is}) at 50Vdc 绝缘电阻	MΩ	≥ 5000
Service temperature range (B _{tu}) 工作温度	°C	-20...+50
Safe load limit (E _L) & Breaking load(E _d) 安全承载&破坏载荷	% of E _{max}	120 & 200
Protection class according to EN 60 529 (IEC 529) 保护等级		IP65
Material :Measuring element 材料:测量元件		合金钢 Alloy steel

Maximum capacity (E _{max}) 额定载荷	kg	500	800
Min. load cell verification inter(v _{min}) 最小检定分度值	g	100	200
Deflection at E _{max} (s _{nom}), approx 最大载荷下的变形量	mm	< 0.6	
Weight(G),approx 重量	kg	1	
Cable 电缆:(排线 flat cable) Length长度	m	0.5	
Mounting:Cylindrical head screw 装配:内六角圆柱头螺钉		M12-10.9	
Tightening torque 螺丝紧固力矩	N. m	42N.m	

ZS01-D

Digital self-restoring rockerpin load cells



汽车衡、轨道衡、轴量秤、地上衡
Truck scale, railway scale, axle wheel scale, floor scale

Special features 特点

- Digital output signal (RS-485/4-wire)
- Nominal (rated) loads: 10t...50t
- Self restoring rocker pin
- Stainless steel; laser welded, IP68
- Simple to install
- Inbuild overvoltage protection
- 数字信号输出 (RS485/四线制)
- 额定量程范围: 10t ~ 50t
- 自复位双摇柱结构
- 不锈钢材料, 激光焊接IP68
- 安装简便
- 内置过电压保护

Specifications 技术说明

Exc+ (Red, 红); Exc- (Black, 黑); Sig+ (Green, 绿); Sig- (White, 白)

Item 项目	Unit 单位	Parameter 参数					
Accuracy class to OIML R60 精度等级		C 1		C 3			
Maximum capacity (E_{max}) 额定载荷	t	10, 15, 20, 30, 40, 50					
Minimum LC verification interval (V _{min}) 最小检定分度值	% of E _{max}	0.0200		0.0100			
Sensitivity (C_n) 灵敏度	digit	1 000 000					
Temperature effect on zero balance (TK ₀) 温度对零点影响	% of C _n /10K	±0.02		±0.0170			
Temperature effect on sensitivity (TK _c) 温度对灵敏度影响	% of C _n /10K	±0.02		±0.0170			
Hysteresis error (d _{hy}) 滞后误差	% of C _n	±0.0270		±0.0180			
Non-linearity (d _{lin}) 非线性误差	% of C _n	±0.0250		±0.0167			
Creep (d _{cr}) over 30 min. 蠕变及蠕变恢复	% of C _n	±0.030		±0.0167			
Current consumption 电流损耗	mA	<21					
Baudrate 波特率	Baud	9600					
Number of bus addresses 总线地址数		max.32					
Nominal range of excitation voltage (B_u) 额定电压	V	7~12					
Asynchrone Interface 异步接口		RS485/4-Wire					
Service temperature range (B _{tu}) 工作温度	°C	-20...+60					
Safe load limit (E _L) & Break load (E _d) 安全承载&破坏载荷	% of E _{max}	150 & 200					
Protection class according to EN 60 529 (IEC 529) 保护等级		IP68					
Material :Measuring element 材料:测量元件 Cable fitting 电缆配件/Cable sheath 电缆护套		Stainless Stainless steel /PVC					
Maximum capacity (E _{max}) 额定载荷	t	10	15	20	30	40	50
Min. scale verification (e _{min}) according to EN 45 501 [...#=#max. Number of load cells] 秤的最小检定分度值	kg	5 [6#]	5 [6#]	5 [6#] 10 [8#]	10 [8#]	10 [6#] 20 [8#]	10 [4#] 20 [10#]
Recommended maximum weighing capacity of scale 推荐秤的额定载荷	t	20	30	50 80	100	100 150	100 200
Deflection at E _{max} (s _{nom}) ,approx 最大载荷下的变形量	mm	<0.55					
Weight(G),approx 重量	kg	1.9	2.3		2.9		
Cable 电缆: Diameter 直径: ∅5mm Length 长度	m	10	12		16		

ZS03-D

Digital self-restoring rockerpin load cells

Special features 特点

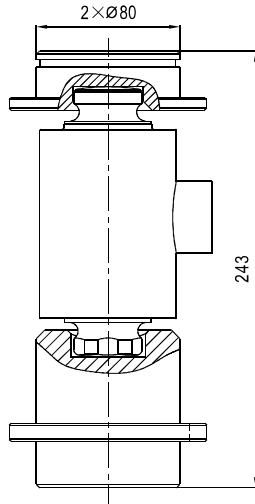
- Digital output signal (RS-485/4-wire)
- Nominal(rated) loads:15t...50t
- Self restoring rocker pin
- Stainless steel materials,laser welded,IP68
- Simple to install
- Inbuild overvoltage protection
- 数字信号输出 (RS485/四线制)
- 额定量程范围: 15t ~ 50t
- 自复位双摇柱结构
- 不锈钢材料, 激光焊接IP68
- 安装简便
- 内置过电压保护



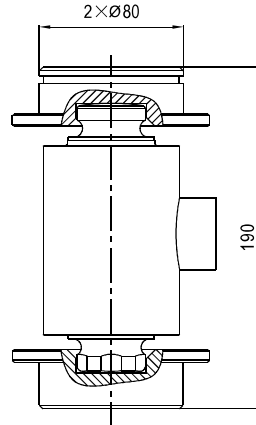
Specifications 技术说明

Item 项目	Unit 单位	Parameter 参数				
Accuracy class to OIML R60 精度等级		C 1		C 3		
Maximum capacity (Emax) 额定载荷	t	15,20,30,40,50				
Minimum LC verification interval (Vmin) 最小检定分度值	% of Emax	0.0200		0.0100		
Sensitivity (Cn) 灵敏度	digit	1 000 000				
Temperature effect on zero balance (TK0) 温度对零点影响	% of Cn/10K	±0.02		±0.0170		
Temperature effect on sensitivity (TKc) 温度对灵敏度影响	% of Cn/10K	±0.02		±0.0170		
Hysteresis error (dhy) 滞后误差	% of Cn	±0.0270		±0.0180		
Non-linearity(dlin) 非线性误差	% of Cn	±0.0250		±0.0167		
Creep(dcr) over 30 min. 蠕变及蠕变恢复	% of Cn	±0.030		±0.0167		
Current consumption 电流损耗	mA	<21				
Baudrate 波特率	Baud	9600				
Number of bus addresses 总线地址数		max.32				
Nominal range of excitation voltage (Bu) 额定电压	V(DC)	7~12				
Asynchrone Interface 异步接口		RS485/4-Wire				
Service temperature range (Btu) 工作温度	°C	-20...+60				
Safe load limit (El) & Breaking load(Ed) 安全承载&破坏载荷	% of Emax	150 & 200				
Protection class according to EN 60 529 (IEC 529) 保护等级		IP68				
Material :Measuring element 材料:测量元件 Cable fitting 电缆配件/Cable sheath 电缆护套		Stainless Stainless steel /PVC				
Maximum capacity (Emax) 额定载荷	t	15	20	30	40	50
Min. scale verification (emin) according to En45 501 [...#=#max. Number of load cells] 秤的最小检定分度值	kg	5 [6#]	5 [6#] 10 [8#]	10 [8#]	10 [6#] 20 [8#]	10 [4#] 20 [10#]
Recommended maximum weighing capacity of scale 推荐秤的额定载荷	t	30	50 80	100	100 150	100 200
Deflection at Emax (snom) ,approx 最大载荷下的变形量	mm	<0.55				
Weight(G),approx 重量	kg	2.1	2.3		2.8	
Cable 电缆: Diameter 直径: ∅6mm Length 长度	m	10	12		16	

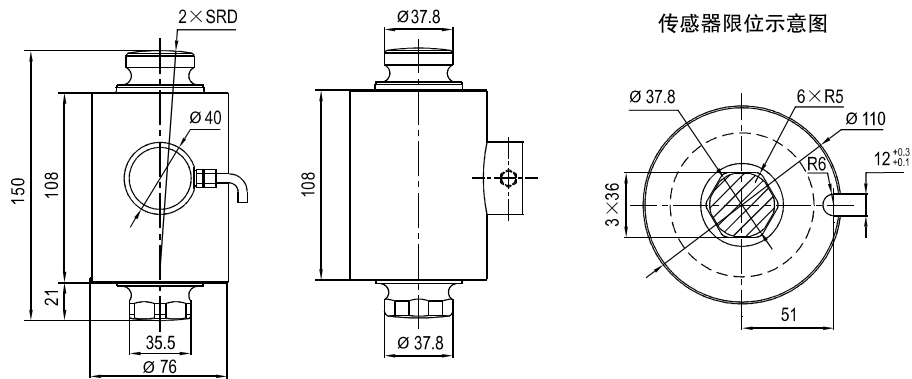
Mounting variation 1: 安装方式1:
含承载头组件



Mounting variation 2: 安装方式2:
含承载头组件



Dimensions 尺寸 (in mm; 1 mm=0.3937 inches)



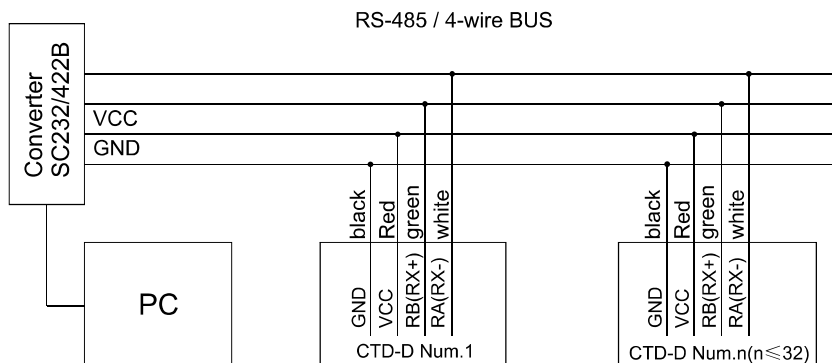
传感器限位示意图

Mounting variation 1 and variation2: 安装方式1与2:

Maximum capacity (E _{max}) 额定载荷	t	15	20	30	40	50
R ball 球头半径	mm	160	160	160	200	305
a _{max} 最大允许倾斜角度	" ° "度	4.8	4.8	4.8	4.8	4.5
S _{max} 最大允许侧向偏移	mm	11	11	11	11	10

Further accessory: 其他附件
防尘垫, O型圈

Wiring code with computer 与电脑连接方式



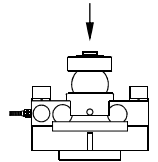
QS05-D Digital Load cells

Special features 特点

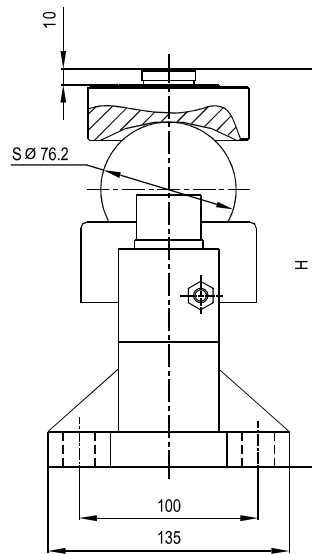
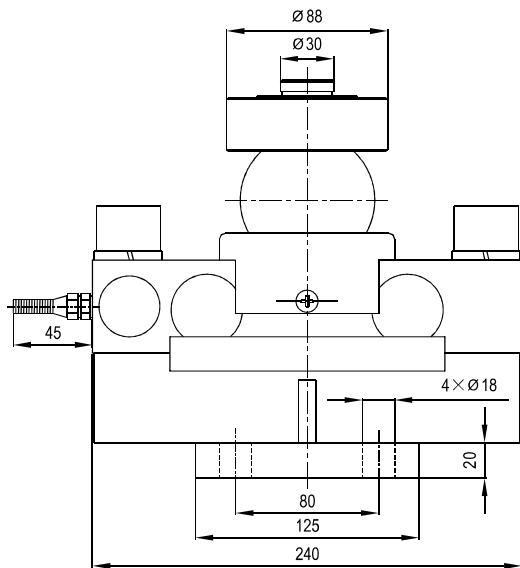
- Digital output signal (RS-485/4-wire)
- Nominal(rated) loads:10t...40t
- Self restoring
- Laser welded,IP68
- Simple to install
- Inbuilt overvoltage protection
- 数字信号输出 (RS485/四线制)
- 额定量程范围: 10t ~ 40t
- 自复位钢球压头结构
- 激光焊接IP68
- 安装简便
- 内置过电压保护



汽车衡、轨道衡、轴量秤及各种专用衡器
Truck scale,railway scale,hopper scale,and other special weighing apparatus



Dimensions and Accessories 尺寸和附件 (in mm; 1 mm=0.03937 inches)



Emax[t]	H
10,15,20,25,30	224.8
40	230.8

Wiring code 配线

Gnd	地线	black 黑色
Vcc	电源	red 红色
A	信号A	green 绿色
B	信号B	white 白色

Maxium Transmitting Distance 最大传输距离

单根导线截面积(mm) ²	0.12	0.3	0.5	0.8	1	1.2
最大传输距离(m)	110	270	450	730	910	1000

Specifications 技术说明

Item 项目	Unit 单位	Parameter 参数					
Accuracy class to OIML R60 精度等级		C 1			C 3		
Maximum capacity (E_{max}) 额定载荷	t	10,15,20,25,30,40					
Minimum LC verification interval (V _{min}) 最小检定分度值	% of E _{max}	0.0200			0.0100		
Sensitivity (C_n) 灵敏度	digit	1 000 000					
Temperature effect on zero balance (TK ₀) 温度对零点影响	% of C _n /10K	±0.02			±0.0170		
Temperature effect on sensitivity (TK _c) 温度对灵敏度影响	% of C _n /10K	±0.02			±0.0170		
Hysteresis error (d _{hy}) 滞后误差	% of C _n	±0.0270			±0.0180		
Non-linearity(d _{lin}) 非线性误差	% of C _n	±0.0250			±0.0167		
Creep(d _{cr}) over 30 min. 蠕变及蠕变恢复	% of C _n	±0.030			±0.0167		
Current consumption 电流损耗	mA	<21					
Baudrate 波特率	Baud	9600					
Number of bus addresses 总线地址数		max.32					
Nominal range of excitation voltage (B_u) 额定电压	V(DC)	7~12					
Asynchrone Interface 异步接口		RS485/4-Wire					
Service temperature range (B _{tu}) 工作温度	°C	-20...+60					
Safe load limit (E _L) & Break load (E _d) 安全承载&破坏载荷	% of E _{max}	150 & 300					
Protection class according to EN 60 529 (IEC 529) 保护等级		IP68					
Material :Measuring element 材料:测量元件 Cable fitting 电缆配件/Cable sheath 电缆护套		Stainless or alloy steel Stainless steel /PVC					
Maximum capacity (E _{max}) 额定载荷	t	10	15	20	25	30	40
Min. scale verification (e _{min}) according to EN 45 501 [...#=#max. Number of load cells] 秤的最小检定分度值	kg	5 [6#]	5 [6#]	5 [6#] 10 [8#]	10 [8#]	10 [8#]	10 [6#] 20 [8#]
Recommended maximum weighing capacity of scale 推荐秤的额定载荷	t	20	30	50 80	80	100	120 150
Deflection at E _{max} (s _{nom}) ,approx 最大载荷下的变形量	mm	<0.55					
Weight(G),approx 重量	kg	15.5	16			16.5	
Cable 电缆: Diameter 直径: ∅6mm Length 长度	m	8	10	12/15		16	

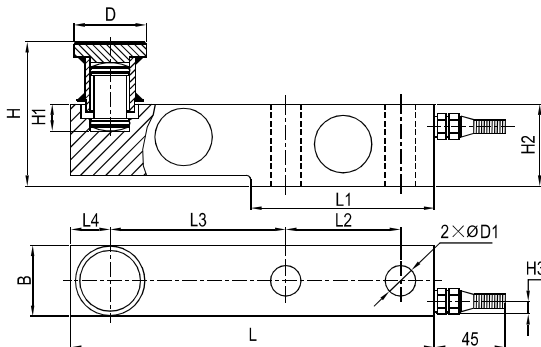
Wiring code 配线

GND 地线	black 黑色	•
Vcc 电源	red 红色	•
A 信号A	green 绿色	•
B 信号B	white 白色	•

SB01-D Digital Load cells

Special features 特点

- Digital output signal (RS-485/4-wire)
- Nominal(rated) loads:0.5t...25t
- Self restoring
- Laser welded,IP68
- Inbuild overvoltage protection
- 数字信号输出 (RS485/四线制)
- 额定量程范围: 0.5t ~ 25t
- 不倒翁自复位
- 激光焊接, IP68
- 内置过电压保护



Emax[t]	L	L1	L2	L3	L4	B	H	H1	H2	H3	D	D1
0.5,1,2,3	203	95	64	98	22	36.6	58	30.5	43	7	Ø35	Ø13
5,8	235	110	66	124	22	48	81	30	52	7	Ø42	Ø21
10,15	279	133	82	140	32	60	128	20	67	8.5	Ø57	Ø28
20,25	318	153	89	159	38	70	144	24	82.5	9.5	Ø70	Ø34

Specifications 技术说明

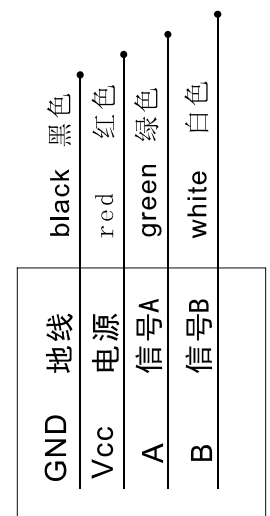
Item 项目	Unit 单位	Parameter 参数	
Accuracy class to OIML R60 精度等级		C 1	C 3
Maximum capacity (Emax) 额定载荷	t	0.5,1,2,3,5,8,10,15,20,25	
Minimum LC verification interval (Vmin) 最小检定分度值	% of Emax	0.0200	0.0100
Sensitivity (Cn) 灵敏度	digit	1 000 000	
Temperature effect on zero balance (TKo) 温度对零点影响	% of Cn/10K	±0.02	±0.0170
Temperature effect on sensitivity (TKc) 温度对灵敏度影响	% of Cn/10K	±0.02	±0.0170
Hysteresis error (dhy) 滞后误差	% of Cn	±0.0270	±0.0180
Non-linearity(dlin) 非线性误差	% of Cn	±0.0250	±0.0167
Creep(dcr) over 30 min. 蠕变及蠕变恢复	% of Cn	±0.030	±0.0167
Current consumption 电流损耗	mA	<21	
Baudrate 波特率	Baud	9600	
Number of bus addresses 总线地址数		max.32	
Nominal range of excitation voltage (Bu) 额定电压	V(DC)	7~12	
Asynchrone Interface 异步接口		RS485/4-Wire	
Service temperature range (Btu) 工作温度	°C	-20...+60	
Safe load limit (EL)&Breaking load(Ed) 安全承载&破坏载荷	% of Emax	150 & 300	
Protection class according to EN 60 529 (IEC 529) 保护等级		IP68	
Material :Measuring element 材料:测量元件		0.5t...5t:Stainless or alloy steel	
Cable fitting 电缆配件		10t...25t: alloy steel	
Cable sheath 电缆护套		Stainless steel or nickel-plated brass PVC	

Maximum capacity (Emax) 额定载荷	t	0.5	1	2	3	5	8	10	15	20	25
Deflection at Emax (snom) ,approx 最大载荷下的变形量	mm	<0.5		<0.6		<0.7		<0.8			
Weight(G),approx 重量	kg	2.2		4.2		8.0		11.5			
Cable 电缆: Diameter 直径: Ø6mm Length长度	m	2.6		3.5		5.2		7		12	

Maxium Transmitting Distance 最大传输距离

单根导线截面积(mm ²)	0.12	0.3	0.5	0.8	1	1.2
最大传输距离(m)	110	270	450	730	910	1000

Wiring code 配线



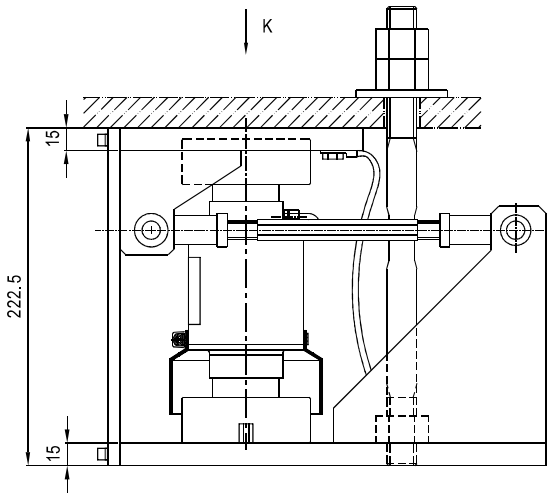
ZS01-M1

Weighing module for 10t...50t

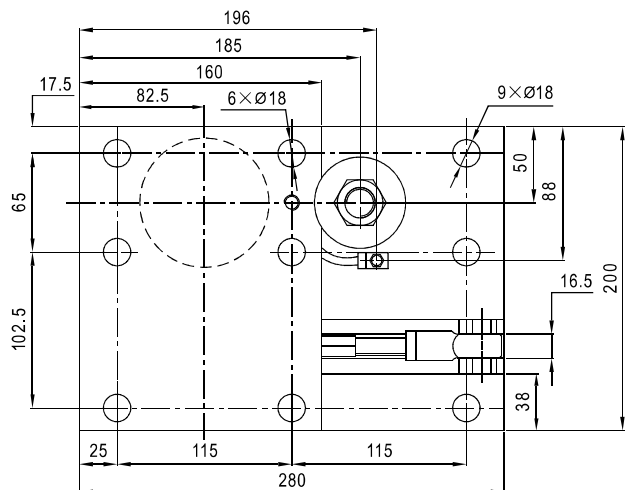


Special features 特点

- Equipped with self-restoring rocker pin load cell CTA, class C2,C3 according to OIML R60
- Stay rod included in the scope of supply
- Designed for lift-off device
- Easy installation
- Two versions available: Galvanized material Stainless steel
- 用于精度等级为C2, C3的自复位柱式传感器CTA;
- 包括支撑杆
- 设计用于离地保护装置
- 安装简单
- 电镀材料和不锈钢可选。



Top view, 顶视图, 无容器脚
drawing without tank foot

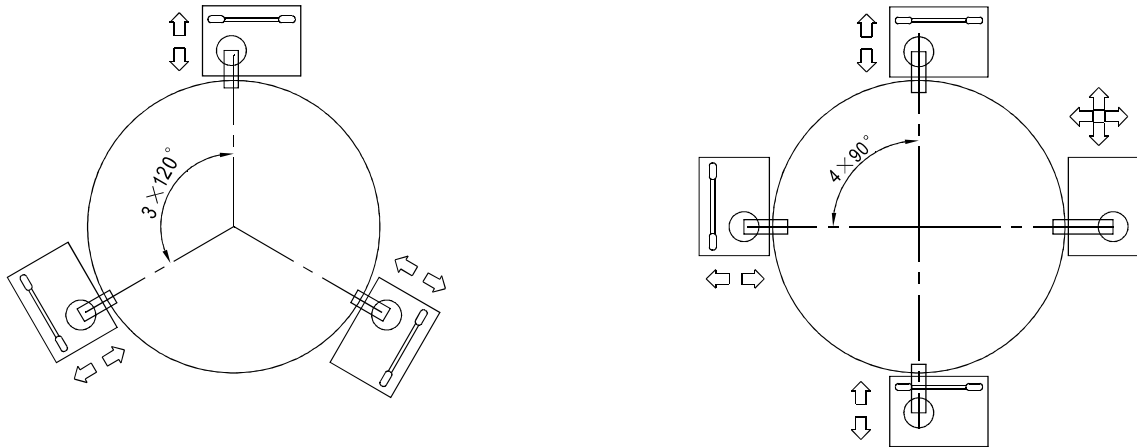


Specifications 技术说明 Exc+激励正 (Red,红);Exc-激励负(Black,黑);Sig+信号正(Green,绿);Sig-信号负(White,白)

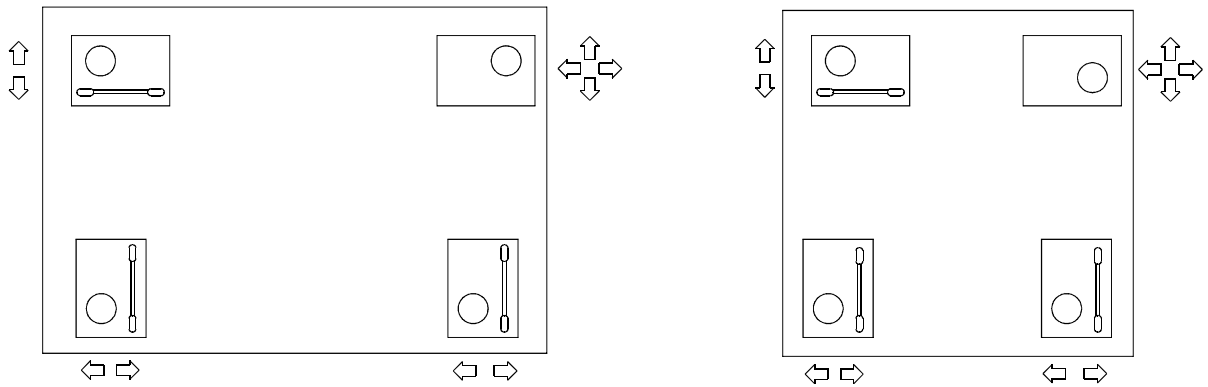
Maximum capacity 额定载荷	t	10	20	25	30	40	50
Limit load 安全载荷	% of Maximum capacity	150%					
Restoring force (at 1mm side offset 回复力 vertically to the control arm direction)	% of Applied load	0.45	0.49	0.65	0.76	0.94	0.98
Maximum permissible side offset transverse to the control arm axis 控制臂方向最大允许水平位移	mm	4.0					
Maximum permissible horizontal force in the control arm direction 控制臂方向最大允许水平力	kN	50					
Max. permissible lifting force 最大允许升力, 用 (when a lift-off device is used)于离地保护装置	kN	80					
Material 材料:		Galvanized or stainless steel 电镀材料或不锈钢					
Weight(G),approx. 重量	kg	19					
Cable 电缆: Diameter 直径 Ø 6mm Length 长度	m	10	12	14	16		

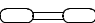


Mounting examples for weighing modules with stay rods: 带有支撑杆的称重模块安装示例

Cylindrical arrangement of the weighing module below tanks
称重模块在罐下部的圆形布置



Rectangular arrangement of the weighing module below tanks
称重模块在罐下部的方形布置



Remark 备注:  Stay rod 支撑杆  Load introduction 负载方向  Degree of freedom 自由度

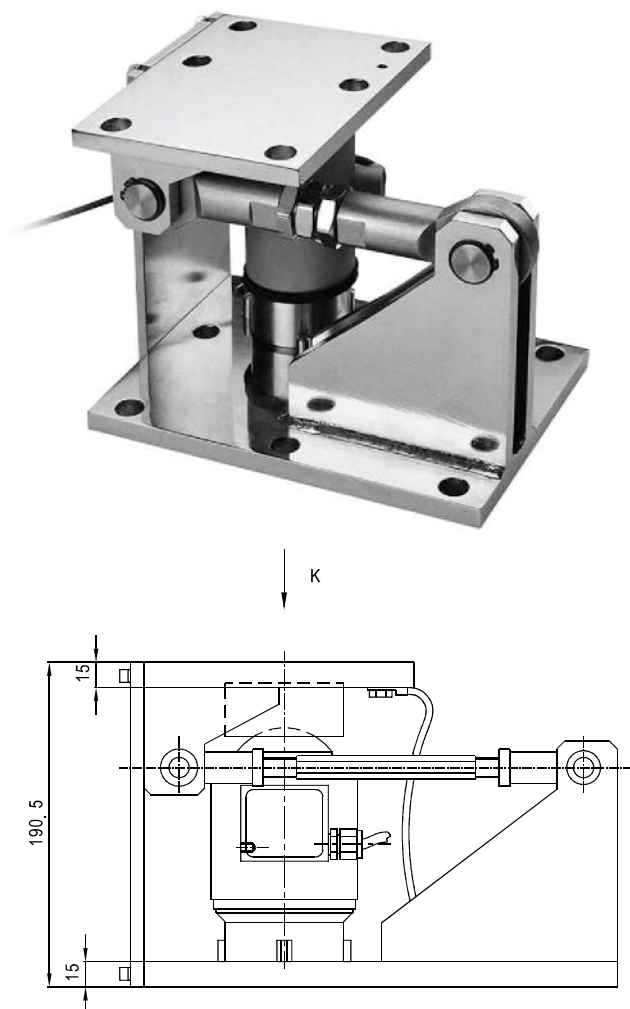
Further accessory: 其他附件

Fixed bearings with the same installation height as the weighing module.
固定底座与称重模块是同样的高度；安装时具有替代作用。



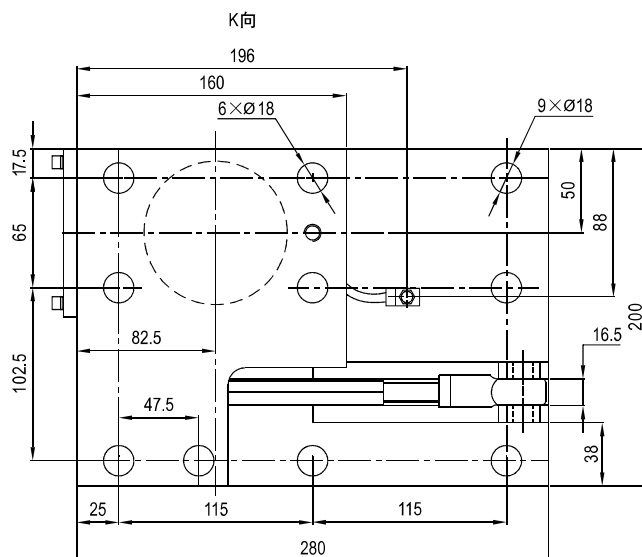
ZS06-M1

Weighing module for 10t...50t



Special features 特点

- Equipped with self-restoring rocker pin load cell CTC, class C2,C3 according to OIML R60
- Compact installation at minimum installation height
- Easy installation
- Limit load is 200%
- Two versions available:
Galvanized material Stainless steel
- 用于精度等级为C2, C3的自复位柱式传感器CTC
- 结构紧凑
- 安装简单
- 安全过载能力强
- 电镀材料和不锈钢可选



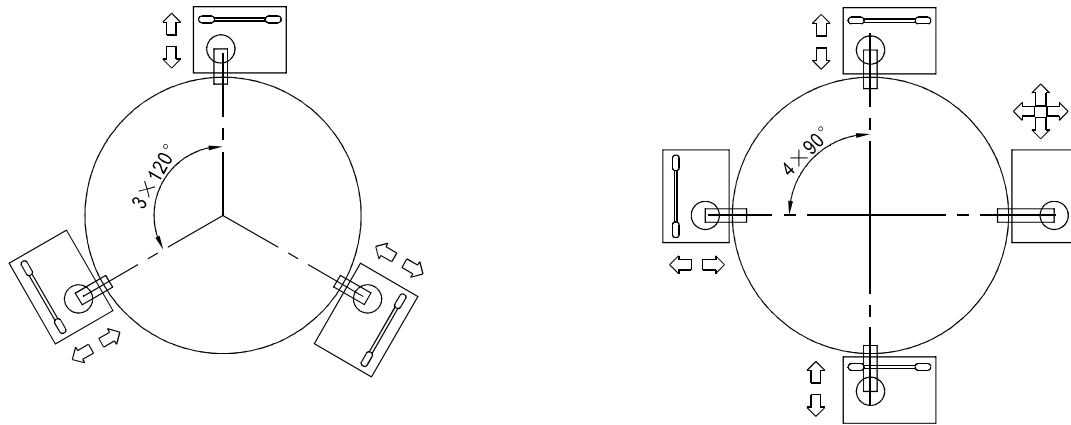
Specifications 技术说明 Exc+激励正 (Red,红);Exc-激励负(Black,黑);Sig+信号正(Green,绿);Sig-信号负(White,白)

Maximum capacity 额定载荷	t	10	20	25	30	40	50
Limit load 安全载荷	% of Maximum capacity	150%					
Restoring force (at 1mm side offset 回复力 vertically to the control arm direction)	% of Applied load	0.35	0.38	0.45	0.56	0.64	0.64
Maximum permissible side offset transverse to the control arm axis 控制臂方向最大允许水平位移	mm	3.0					
Maximum permissible horizontal force in the control arm direction 控制臂方向最大允许水平力	kN	50					
Material 材料:		Galvanized or stainless steel 电镀材料或不锈钢					
Weight(G),approx. 重量	kg	17.5					
Cable 电缆: Diameter 直径 Ø6mm Length 长度	m	10	12	14	16		

Mounting examples for weighing modules with stay rods: 带有支撑杆的称重模块安装示例

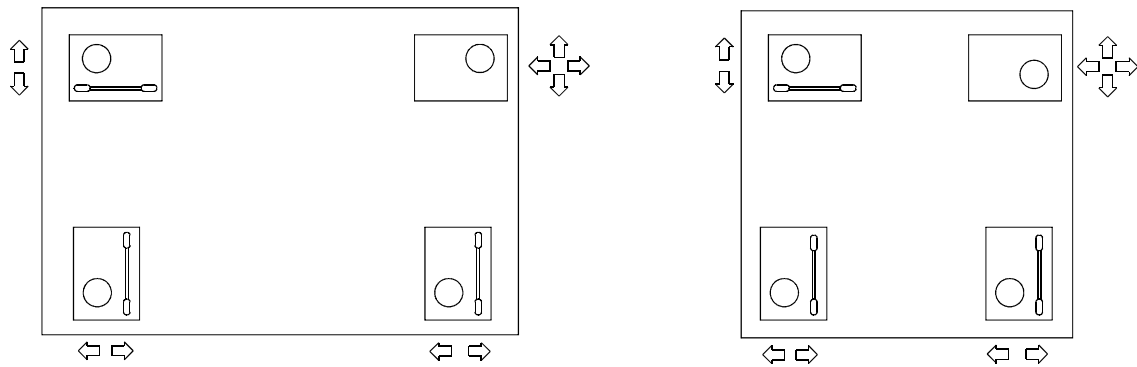
Cylindrical arrangement of the weighing module below tanks

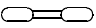


称重模块在罐下部的圆形布置



Rectangular arrangement of the weighing module below tanks

称重模块在罐下部的方形布置



Remark 备注:  Stay rod 支撑杆  Load introduction 负载方向  Degree of freedom 自由度

Further accessory: 其他附件

Fixed bearings with the same installation height as the weighing module.

CTC/M01可提供此种对应安装尺寸附件。



SB01-M1

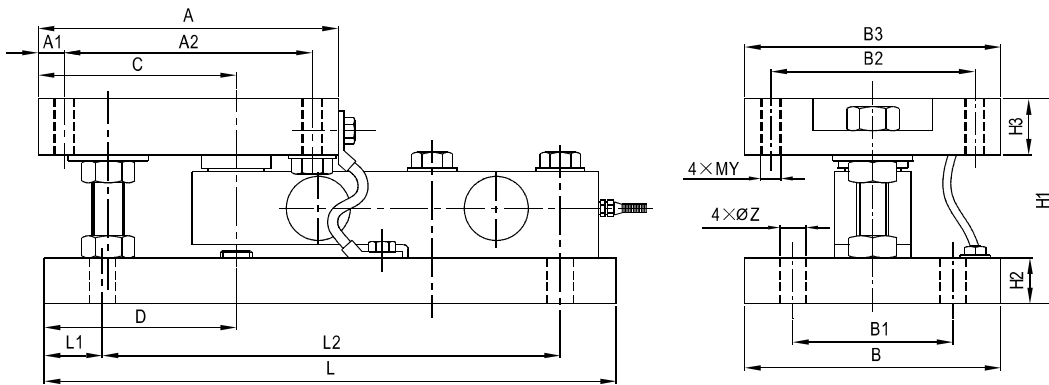
Static weighing module for 500kg...25t



Special features 特点

- Equipped with load cell SBA, class C2,C3 according to OIML R60
- Compact installation at minimum installation height
- Easy installation
- Two versions available: Galvanized material , Stainless steel
- With anti-liftoff device and lifting device
- 用于精度等级为C2, C3的SBA传感器;
- 结构紧凑
- 安装简单
- 电镀材料和不锈钢可选
- 带有升力与反升力装置

Dimensions (in mm;1mm=0.03937 inches) 尺寸



Emax [t]	A	A1	A2	C	D	L	L1	L2	B	B1	B2	B3	H1	H2	H3	Y	Z
0.5,1,2	150	16	124	99	96	286	32	226	112	80	102	128	107	19	24	10	13
3	150	16	124	99	96	286	32	226	112	80	102	128	107	23	28	10	13
5,8	178	16	146	102	99	318	32	257	152	102	120	152	146	30	38	16	17
10,15	184	16	152	108	105	360	32	295	154	106	122	154	216	45	45	20	21
20,25	220	25	170	115	115	400	25	350	220	170	170	220	254	55	55	24	26

Specifications 技术说明 Exc+激励正 (Red,红);Exc-激励负(Black,黑);Sig+信号正(Green,绿);Sig-信号负(White,白)

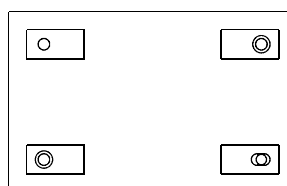
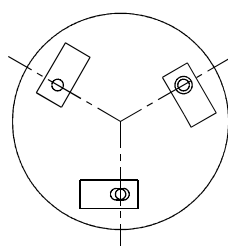
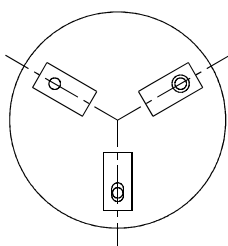
Maximum capacity 额定载荷	t	0.5	1	2	3	5	8	10	15	20	25
Limit load 安全载荷	% of Emax	150%									
Total error of load cells 传感器综合性能	% of Emax	±0.02, ±0.03, ±0.05									
Material 材料:		Galvanized or stainless steel 电镀材料或不锈钢									
Cable 电缆: Diameter 直径 Ø6mm Length 长度	m	2.6	3.5	5.2	5.2	7	12	12	12	12	12

Mounting examples for weighing modules 安装方式

Radial install 径向方式

Cutting install 切向方式

Rectangle install 矩形方式



- Fixed Module 固定式
- ◐ Semi-float Module 半浮动式
- ⊙ Float Module 全浮动式

SB01-M2

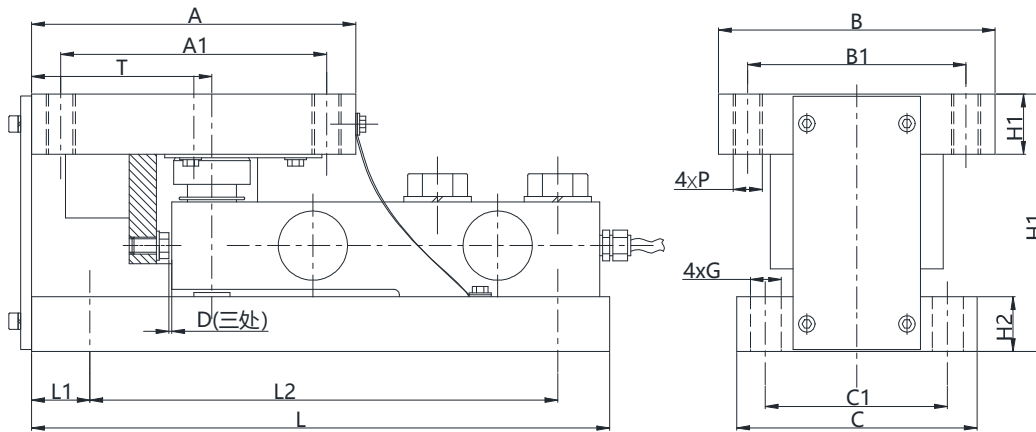
Dynamic weighing module for 500kg...25t

Special features 特点

- Equipped with self-restoring load cell SBA, class C2,C3 according to OIML R60
- Compact installation at minimum installation height
- Easy installation
- Two versions available:
Galvanized material
Stainless steel
- 用于精度等级为C2, C3的不倒翁自复位传感器SBA
- 结构紧凑
- 安装简便
- 电镀材料和不锈钢可选



Dimensions (in mm; 1mm=0.03937 inches) 尺寸



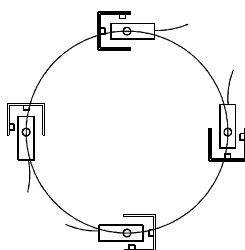
Emax [t]	A	A1	B	B1	T	L	L1	L2	C	C1	H	H1	H2	P	G	D
0.5, 1, 2	150	124	128	102	96	286	32	226	112	80	107	19	19	M10	ø13	1.6
3	150	124	128	102	96	286	32	226	112	80	107	24	23	M10	ø13	1.6
5, 8	178	146	152	120	99	318	32	257	152	102	130	38	30	M16	ø17	1.6
10, 15	184	152	154	122	105	360	32	295	154	106	168	45	45	M20	ø21	3
20, 25	220	170	220	170	115	400	25	350	220	170	213	55	55	M24	ø26	3

Specifications 技术说明 Exc+激励正 (Red, 红); Exc-激励负 (Black, 黑); Sig+信号正 (Green, 绿); Sig-信号负 (White, 白)

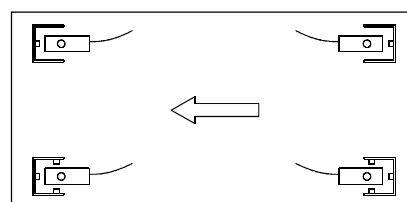
Maximum capacity 额定载荷	t	0.5	1	2	3	5	8	10	15	20	25
Limit load 安全载荷	% of Emax	150%									
Total error of load cells 传感器综合性能	% of Emax	±0.02, ±0.03, ±0.05									
Material 材料:		Galvanized or stainless steel 电镀材料或不锈钢									
Cable 电缆: Diameter直径 ø6mm Length长度	m	2.6	3.5	5.2	7	12					

Mounting examples for weighing modules 安装方式

Cutting install 切向方式



Rectangle Install 矩形方式



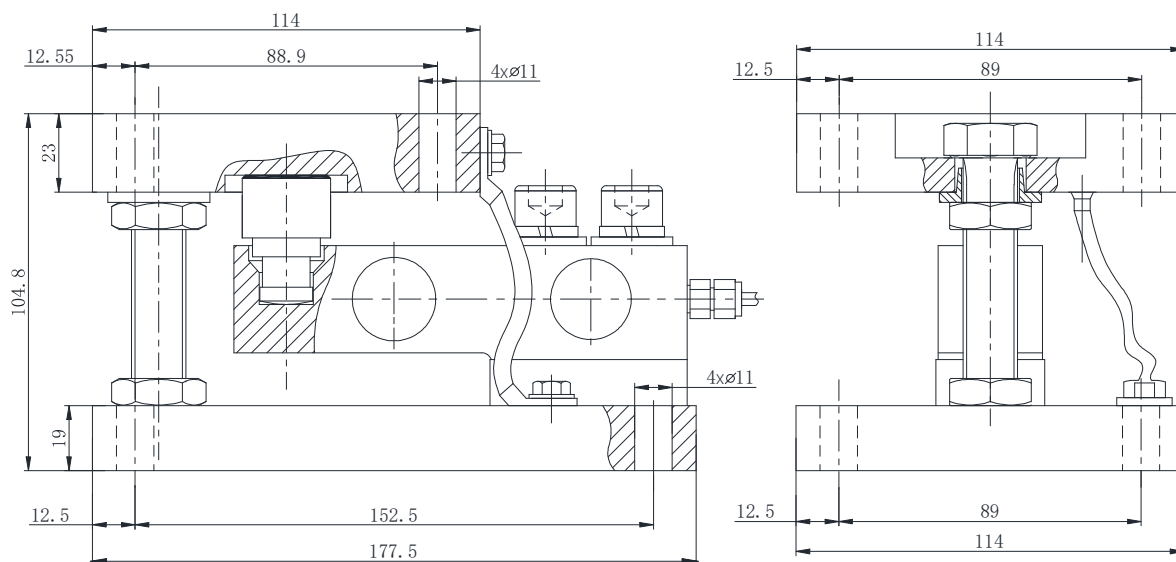
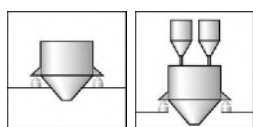
SB02-M1

Weighing Module for 0.5...3t

Special features特点

- Equipped with load cell SBB, class C2, C3 according to OIML R60
- With overload stop and stay rod
- Compact installation at minimum installation height
- Easy installation
- Two versions available: Galvanized or stainless steel
- Self-restoring due to pendulum bearing
- With anti-liftoff device and lifting device

- 用于精度等级为C2, C3的SBB传感器
- 有过载保护与支撑杆
- 结构紧凑
- 安装简单
- 电镀材料与不锈钢材料可选
- 采取摆支撑有自复位功能
- 带有升力与反升力装置

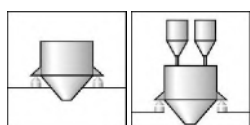


Specifications 技术说明 Exc+激励正 (Red,红);Exc-激励负(Black,黑);Sig+信号正(Green,绿);Sig-信号负(White,白)

Maximum capacity 额定载荷	kg	500	1000	2000	3000
Limit load 安全载荷	% of Emax	120%			
Breaking load 破坏载荷	% of Emax	200%			
Total error of load cells 传感器综合性能	% of Emax	±0.02, ±0.03, ±0.05			
Material 材料:		Galvanized or stainless steel 电镀材料或不锈钢			
Weight (incl.load cell)重量	kg	7...8			
Adjustment range of the overload stop 过载保护范围	mm	≤0.33	≤0.25	≤0.45	≤0.8
Cable 电缆: Diameter直径 Ø5mm Length长度	m	3			

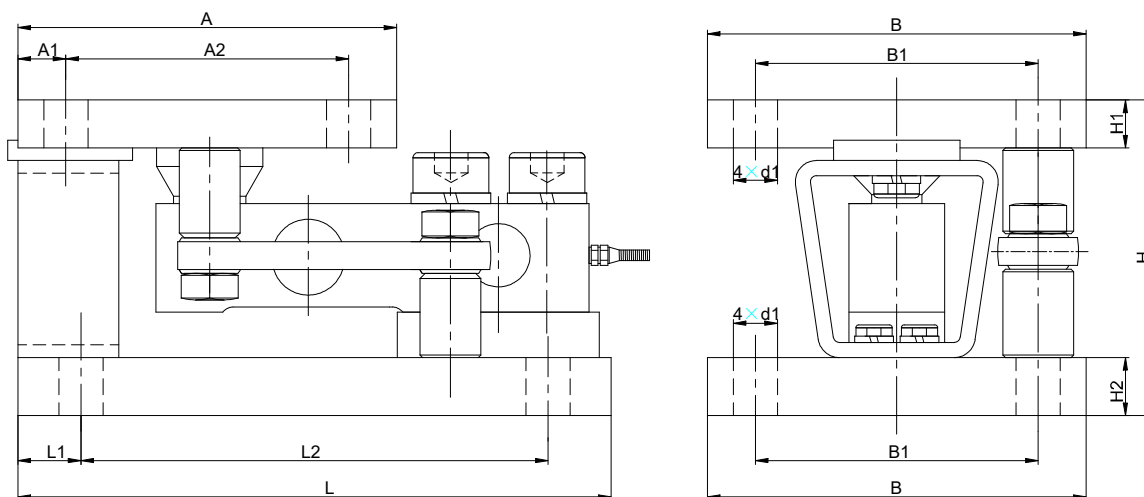
SB02-M2

Weighing Module for 0.5...3t



Special features特点

- Equipped with load cell SBB, class C2, C3 according to OIML R60
- With overload stop and stay rod
- Compact installation at minimum installation height
- Easy installation
- Two versions available: Galvanized or stainless steel
- Self-restoring due to pendulum bearing
- 用于精度等级为C2, C3的SBB传感器
- 有过载保护与限位机构
- 结构紧凑
- 安装简单
- 电镀材料与不锈钢材料可选
- 采取摆支撑有自复位功能



Emax[t]	A	A1	A2	L	L1	L2	B	B1	H	H1	H2	d1
0.5,1,2	114	12.5	89	177.5	12.5	152.5	114	89	105	17	17	∅13
3	114	12.5	89	177.5	12.5	152.5	114	89	108	19	19	∅13

Specifications 技术说明 Exc+激励正 (Red,红);Exc-激励负(Black,黑);Sig+信号正(Green,绿);Sig-信号负(White,白)

Maximum capacity 额定载荷	kg	500	1000	2000	3000
Limit load 安全载荷	% of Emax	120%			
Breaking load 破坏载荷	% of Emax	200%			
Total error of load cells 传感器综合性能	% of Emax	±0.02, ±0.03, ±0.05			
Material 材料:		Galvanized or stainless steel 电镀材料或不锈钢			
Weight (incl.load cell)重量	kg	7...8			
Adjustment range of the overload stop 过载保护范围	mm	≤0.33	≤0.25	≤0.45	≤0.8
Cable 电缆: Diameter直径 ∅5mm Length长度	m	3			

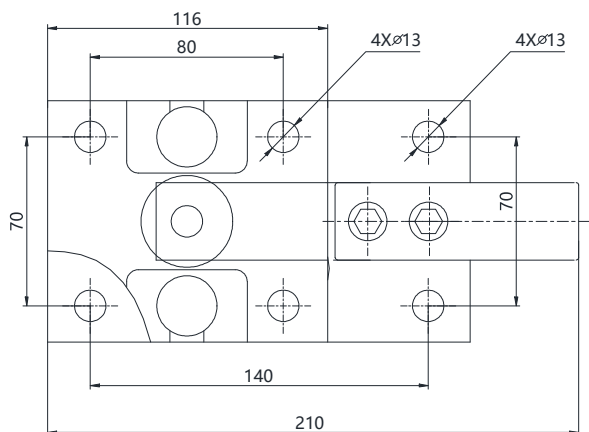
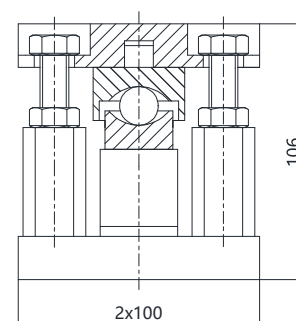
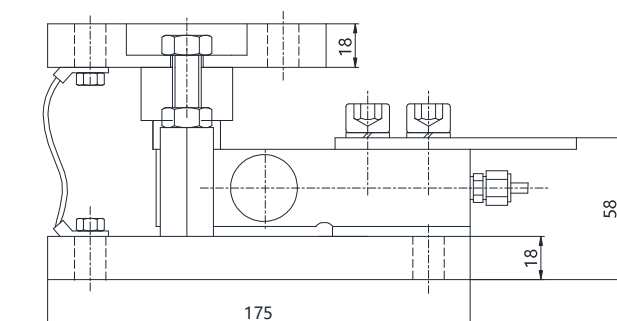
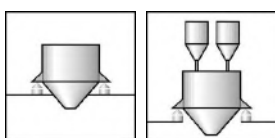
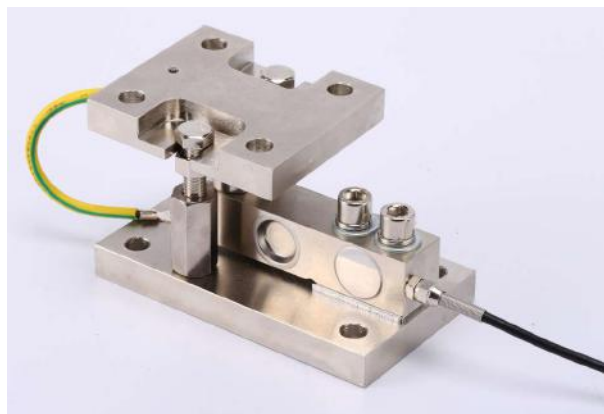
SQB01-M1

Weighing module for 100kg...2.5t

Special features 特点

Equipped with load cell SSBC, class C2, C3 according to OIML R60
 With overload stop and stay rod
 Compact installation at minimum installation height
 Easy installation
 Two versions available: Galvanized or stainless steel
 Self-restoring due to pendulum bearing
 With anti-liftoff device and lifting device

- 用于精度等级为C2, C3的SSBA传感器
- 有过载保护与支撑杆
- 结构紧凑
- 安装简单
- 电镀材料与不锈钢材料可选
- 采取摆支撑有自复位功能
- 带有升力与反升力装置

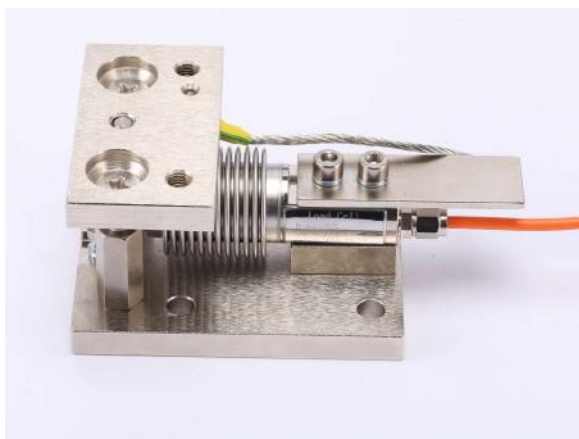


Specifications 技术说明 Exc+激励正 (Red,红);Exc-激励负(Black,黑);Sig+信号正(Green,绿);Sig-信号负(White,白)

Maximum capacity 额定载荷	kg	100,200,250,300	500,1000,2000,2500
Limit load 安全载荷	% of Emax	120%	
Breaking load 破坏载荷	% of Emax	200%	
Total error of load cells 传感器综合性能	% of Emax	±0.02, ±0.03, ±0.05	
Material 材料:		Galvanized or stainless steel	电镀材料或不锈钢
Weight (incl.load cell) 重量	kg	7...8	
Adjustment range of the overload stop 过载保护范围	mm	≤0.33	≤0.45
Cable 电缆: Diameter直径 Ø5mm Length长度	m	3	

HSX01-M1

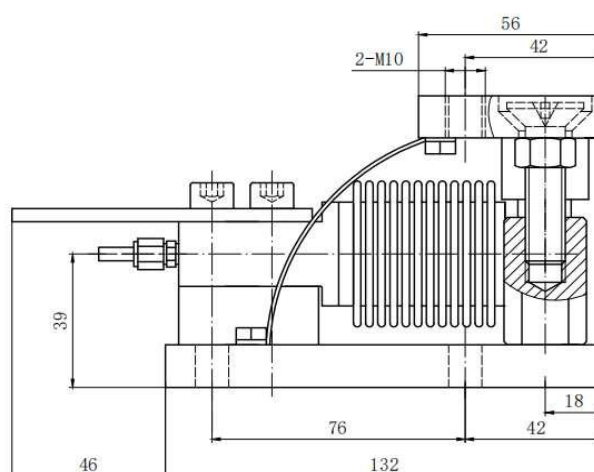
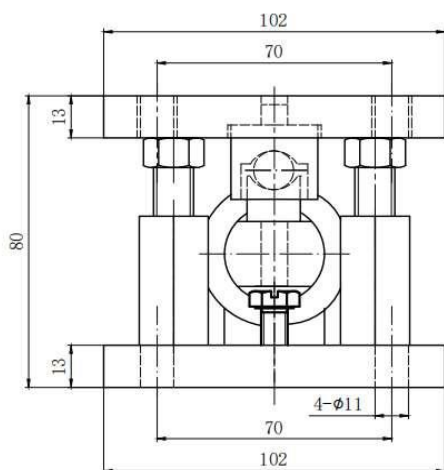
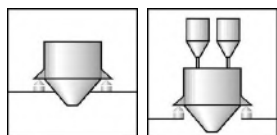
Weighing module for 50kg...500kg



Special features特点

Equipped with load cell BLA, class C2, C3 according to OIML R60
 With overload stop and stay rod
 Compact installation at minimum installation height
 Easy installation
 Two versions available: Galvanized or stainless steel
 Self-restoring due to pendulum bearing
 With anti-liftoff device and lifting device

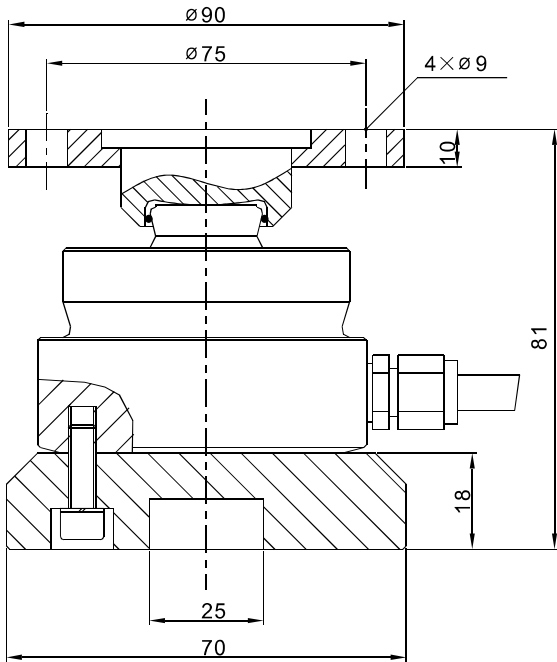
- 用于精度等级为C2, C3的BLA传感器
- 有过载保护与支撑杆
- 结构紧凑
- 安装简单
- 电镀材料与不锈钢材料可选
- 采取摆支撑有自复位功能
- 带有升力与反升力装置



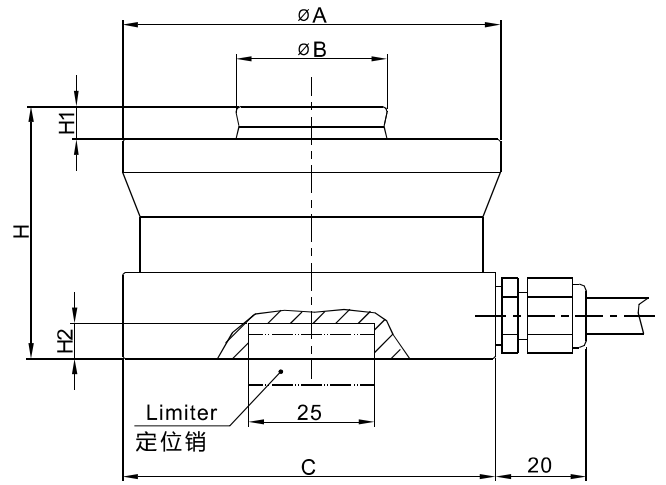
Specifications 技术说明 Exc+激励正 (Red,红);Exc-激励负(Black,黑);Sig+信号正(Green,绿);Sig-信号负(White,白)

Maximum capacity 额定载荷		50	75	100	200	250	300	500
Limit load 安全载荷	% of Emax	120%						
Breaking load 破坏载荷	% of Emax	200%						
Total error of load cells 传感器综合性能	% of Emax	±0.02, ±0.03, ±0.05						
Material 材料:		Galvanized or stainless steel 电镀材料或不锈钢						
Weight (incl.load cell)重量	kg	8...9						
Adjustment range of the overload stop 过载保护范围	mm	≤0.33	≤0.25	≤0.45	≤0.8			
Cable 电缆: Diameter直径 ∅5mm Length长度	m	3						

Emax:1t~4.7t

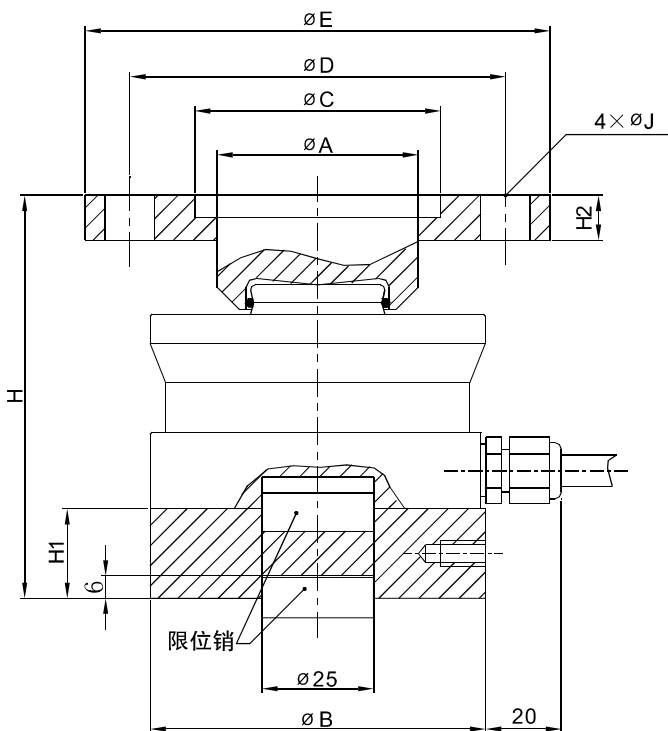


Emax:10t~100t



Emax[t]	A	B	C	H	H1	H2
10~22	75	30	75	50	6.5	7
33	95	40	95	65	10	7
47	130	60	130	75	14	7
68	130	60	130	85	14	7
100	150	70	150	90	16	7

Emax:10t~100t



Emax[t]	A	B	C	D	E	H	H1	J	H2
10~22	45	75	55	80	100	95	20	11.5	10
33	58	95	68	95	120	120	25	13	12
47	80	130	92	130	170	140	30	17.5	20
68	80	130	92	130	170	150	30	17.5	20
100	100	150	110	150	200	187	40	25	22

限位销的厚度为10mm, 建议客户安装底板孔深6mm;
Thickness of the limited pin is 10mm; recommended depth for the installation base is 6mm

YB01



概述

XK3102A称重仪表是交流供电，面向工业控制领域的称重显示控制器。它集重量显示，模拟量信号输出、RS232/485接口、继电器输出于一体。采用高速高精度的24位 Σ - Δ A/D转换器，模拟信号输出采用16位D/A转换器，所有接口经过光电隔离处理。充分考虑工业现场的复杂性，精心的软硬件设计使生产和管理得到有利的保障，适用于建材、化工、粮食、钢铁等行业。

主要特点

- | 内嵌抗EMC干扰电路，抗电磁干扰能力强，适用工业现场的应用。
- | 不锈钢防腐面板，全金属屏蔽外壳。
- | 高精度、高分辨率 Σ - Δ 型A/D转换，最大A/D脉冲数：1,000,000。
- | 更新速率可选择：30次/秒、60次/秒、100次/秒、200次/秒。
- | 分度数范围：1000~50000。分度值范围：0.001~50kg。
- | 隔离的数字通讯接口，可选择RS232与RS485两种方式。支持Modbus-RTU通讯（选配）。
- | 两路继电器输出，输出模式可设定：重量分选模式或定值模式。
- | 可设定模拟输出类型：0~20mA、4~20mA、0~5V或0~10V。
- | 17位0.56英寸LED数码管显示，10段光柱指示，7个LED指示灯。

技术参数

- | 激励电压：5.0VDC，可驱动8只350W的模拟式传感器。
- | 量程信号范围：1.5~40mV。| 零点信号范围：-40~38.5mV。
- | 模拟电流输出：Max 500 Ω 。| 模拟电压输出：Min 10 K Ω 。
- | 继电器触点容量：交流7A / 250V，直流10A / 28V。
- | 满量程温度系数：5PPM/ $^{\circ}$ C。| 零点温度漂移：0.06 μ V/ $^{\circ}$ C。
- | 最高灵敏度：0.3 μ V/d。
- | 非线性：优于0.01%FS。
- | 模拟输出偏移漂移（0mA或4mA）：50PPM / $^{\circ}$ C。
- | 输出漂移（20mA或24mA）：50PPM / $^{\circ}$ C。
- | 电源电压范围：交流200~242V，频率49~51Hz，最大功耗8瓦。
- | 控制器需要良好的接地线，并不可与电机、继电器或加热器等易产生电源噪声的设备共用一个电源。
- | 使用温度为：-20 $^{\circ}$ C~50 $^{\circ}$ C，湿度为10%~95%，无冷凝。
- | 存贮温度为：-30 $^{\circ}$ C~60 $^{\circ}$ C，湿度为10%~95%，无冷凝。

YB02

小体积工业MODBUS-RTU通讯



产品描述

XK3101B是一款超小体积、高速、高精度、高可靠性、带RS232/485MODBUS-RTU通讯协议功能的工业专用柜式称重控制器。控制器采用24位AD芯片，数据处理200次/秒，采用多种数字滤波处理，重量数据分辨高、抗震动能力强、数据快速稳定。

充分考虑工业现场的复杂性，以精心的软硬件设计，使生产和管理得到有利的保障，适用于粮食、饲料、化工、建筑、钢铁、冶金等行业。

功能特点

体积小，功能强大，不锈钢防腐面板，全金属屏蔽外壳。

5个LED状态指示灯，6位LED数码管实时显示当前重量。

重量数据分辨高、抗震动能力强、数据快速稳定。

带RS232/485接口、MODBUS-RTU通讯协议，可方便与PLC、触摸屏、上位机和大屏幕连接。

技术参数

A/D速率可选择：25次/秒、50次/秒、100次/秒、200次/秒。

高精度、高分辨率 - Δ 型A/D转换，最大A/D脉冲数：100万。

分度数范围：1000~50000。分度值范围：0.001g~50kg。

激励电压：5.0VDC，可驱动6只350欧姆的模拟式传感器。

量程信号范围：1.5~40mV。零点信号范围：-40~40mV。

满量程温度系数：5PPM/°C。零点温度漂移：0.03 uV/°C。

最高灵敏度：0.3uV/d。非线性：优于0.01%FS。

电源：AC190~240V，频率49~51Hz

使用温度为：-20°C~50°C，存贮温度为：-30°C~60°C；湿度为10%~95%，无冷凝。

仪表尺寸仪表采用不锈钢面板，铝合金壳体，尺寸如下

面板长102mm，宽53mm；机身长90mm，宽42mm，深120mm。

YB03



产品描述

SD816-A控制器是交流供电，面向工业控制领域的称重显示控制器。它集重量显示，模拟量信号输出、继电器输出于一体。控制器采用导轨式安装方式（也可以用螺丝固定），可方便的内嵌到控制柜中。

主要特点

高精度、高分辨率□-△型A/D转换，最大A/D脉冲数：1,000,000。
更新速率可选择：6.25次/秒、12.5次/秒、25次/秒、50次/秒。
分度数范围：1000~50000。
分度值范围：0.001~20kg。
两路继电器输出，输出模式可设定：重量分选模式或定值模式。
可设定模拟输出类型：0~20mA、4~20mA、0~5V或0~10V。
6位LED数码管显示，10段光柱指示。

技术参数

激励电压：5.0VDC，可驱动6只350W的模拟式传感器。
量程信号范围：1.5~40mV。
零点信号范围：-40~38.5mV。
模拟电流输出：Max 500Ω。
模拟电压输出：Min 10kΩ。
继电器触点容量：8A 250VAC。
满量程温度系数：5PPM/°C。
零点温度漂移：0.06 uV/°C。
最高灵敏度：0.6uV/d。
非线性：优于0.01%FS。
模拟输出偏移漂移（0mA或4mA）：50ppm / °C。
输出漂移（20mA或24mA）：50ppm / °C。
电源：AC200~242V，频率49~51Hz，最大功耗6瓦
安装尺寸：70*105mm外形尺寸：115*90*74mm。

YB04



概述

此款智能控制器（以下简称控制器）是针对单种增量自动定量灌装而专门开发的一款重量定值控制器，采用24位AD芯片，数据处理200次/秒，采用多种数字滤波处理，重量数据分辨高、抗震动能力强、数据快速稳定。控制输出采用继电器方式，可方便与控制终端设备连接。串口通讯支持RS232/RS485 MODBUS-RTU通讯（选配），可方便与PLC触摸屏、上位机和大屏幕连接。控制器集称重、显示、通讯、单速、双速定值控制、自动检桶、自动提枪、自动下枪，自动推桶，撞桶保护于一体，适用于粮油、食品、化工等需要毛重或重定量灌装的行业。

功能及特点

体积小，功能强大，内带继电器，不锈钢防腐面板，全金属屏蔽外壳。
 内嵌抗EMC干扰电路，抗电磁干扰能力强，适用工业现场的应用。
 24BIT 型A/D转换，AD 速率可选：8次/秒，15次/秒，30次/秒 60次/秒100次/秒、200次/秒。
 控制器自带继电器，使灌装机电气控制设计更简单、方便、可靠。
 有提枪控制和无枪控制等多种工作模式，用户可自主选择。
 具有快加料、慢加料双速加料控制。
 能单独设置快、慢禁止比较时间，有效防机械振动引起重量误判。
 灌装过程可以通过外控按键随时调整落差提前量，操作人员无需进入控制器操作来调整提前量。同时控制器也可自动调整落差提前量。
 具有自动检桶、自动提枪、自动下枪、自动推桶、撞桶保护等功能。
 具有10种配方编辑保存功能，能通过外控按键选择配方，操作人员无需通过控制器面板按键来设置配方。
 批次设定功能。
 累计统计功能。
 控制器能直接显示ADC内码，可以检测传感器性能故障和接线故障。
 多重密码设置功能，可以预设置控制器灌装次数或时间。

技术参数

激励电压：5.0VDC，可驱动8只3502的模拟式传感器。
 量程信号范围：1.5~40mV。零点信号范围：-40~38.5mV。
 继电器触点容量：交流3A/250V，直流3A/30V。
 最高灵敏度：0.3uV/d。非线性：优于0.01%FS。
 电源电压范围：交流200~242V，频率49~51Hz，最大功耗8瓦。控制器需要良好的接地线，并不可与电机、继电器或加热器等易产生电源噪声的设备共用一个电源。
 使用温度为：-20℃~50℃，湿度为10%~95%，无冷凝。
 贮存温度为：-30℃~60℃，湿度为10%~95%，无冷凝。

智能配料控制器 单速增量配料



概述

此款智能配料控制器（以下简称控制器）是针对单秤增量自动配料秤而专门开发的一款重量定值控制器，最多可以配16种物料。采用24位AD芯片，数据处理200次/秒，采用多种数字滤波处理，重量数据分辨高、抗震能力强。数据快速稳定。控制输出采用继电器方式，可方便与控制终端设备连接。串口通讯支持RS232/RS485 MODBUS-RTU通讯（选配），可方便与PLC、触摸屏、上位机和大屏幕连接。控制器集称重、显示、通讯，单速，双速加料、流量（堵料）检测、报警控制于一体，适用于粮食、饲料，化工，建筑等需要配料控制的行业。

功能与特点

体积小，功能强大，内带继电器，不锈钢防腐面板，全金属屏蔽外壳。
内嵌抗EMC干扰电路，抗电磁干扰能力强，适用工业现场的应用。
多重密码设置功能，可以预先设置控制器定时关机时间。
配料过程中突然断电，重新上电后能继续前一次中断的配料过程。
检测配料过程加料流量和放料流量，在堵料或缺料状态时能够进行报警
24BIT 型A/D转换，AD速率200次/秒。
最多可扩展12路开关量输入，16路开关量输出，输出采用继电器方式，控制器自带继电器，使配料控制柜电气控制设计更简单、方便、可靠。
同时显示单料瞬时重量和目标重量，实际加料总重量和总加料目标值。
上位机通过MODBUS-RTU通讯（03, 06, 16功能）可以设置和查看配料的目标值、提前量、配料稳定时间、配料实际重量，也可以启动和控制配料操作。
能设置禁止比较时间，有效防机械振动引起重量误判。
| 每种物料配料前自动去皮，每种物料的提前量单独设置且可以自动调整，母种物料配料稳定时间可单独设置。
| 可以通过外控开关实现手动配料的功能。
| 具有10种配方编辑保存功能，能通过外控按键选择配方，操作人员无需通过控制器按键操作来设置配方。
| 批次数设定功能及累计统计功能。
| 控制器能直接显示ADC内码，可以检测传感器性能故障和接线故障。

技术参数

| 可驱动8只350欧姆的模拟式传感器。
| 量程信号范围：1.5~40mV. 激励电压：5.0VDC,
| 零点信号范围：-40~38.5mV.
| 继电器触点容量：交流3A/250V, 直流3A/30V. 最高灵敏度：0.3uV/d.
| 非线性：优于0.01%FS.
| 电源电压范围：交流00~242V, 频4~1景大功耗8瓦o控制要良好的接地线，并不可与电机、继电器或加热器等易产生电源噪声的设备共用一个电源。
| 使用温度为：-20C~50C, 湿度为10%~95%，无冷凝。

变送器

SDT02/02A型重量变送器 输出：4~20mA, 0~5V/0~10V.



1.0概述

工业过程控制系统广泛使用了4~20mA控制环路，很多的数据采集和执行器就是为这种控制方式而设计的，由于它们接口简单，提供了使传感器与控制接口实现标准化的方法及不太容易受噪声影响，所以应用十分广泛。

SD02/02A型重量变送器是我公司推出的、面向工业控制领域（或其他需要模拟量输出的应用场所）的产品。

1.1 主要特点

采用密封式外壳，防护等级为IP67，工作温度范围-30℃~60℃，可应用于各种工业环境。

信号输出类型可选择：4~20mA、0~5V(或0~10V)

1.2 技术指标

线性精度：0.05%FS；综合精度：0.2%FS

输出范围：0~5V、0~10V或4~20mA

调零范围：±50%FS；适用传感器灵敏度：1.0~3.0mV/V

工作温度范围：-10℃~50℃

1.2.1 负载能力

传感器激励电压：直流12V，可驱动1-2只模拟式传感器（输出电阻≥350）。

放大倍率：电压90~900倍

电流输出：最大负载电阻500欧姆；电压输出：最小负载电阻10,000欧姆。

1.2.2 电源

重量变送器的电源电压范围：直流15-24V，最大功耗1.5瓦。

重量变送器不可与易产生电源噪声的设备如电机、继电器或加热器等共用一个电源。

1.2.3 温度和湿度

使用温度为：-30℃~60℃，湿度为10%RH~85%RH，无冷凝。

存贮温度为：-40℃~85℃，湿度为10%RH~85%RH，无冷凝。

2.0 安装与调试

2.1 外形尺寸：防水盒尺寸65*57*36 防水接头：型号 M10、导线直径4~6.5mm

2.2 传感器接线

2.2.1 传感器接线：+E：激励+ G：激励- +S：信号+ -S：信号- G：屏蔽

2.2.2 电源及模拟量输出的接线：I：电流输出，V：电压输出，G：信号地，Gnd：电源-，24V：电源+

注意：

模拟输出只能选择一个：电流输出或电压输出。

变送器电源允许范围DC15V~24V，推荐使用15V，18V或24V的直流稳压电源，当环境温度超过60℃时要确保电源电压不能超过24V。

2.3 调试

请专业人员调试重量变送器，不正确的参数设置可能导致重量变送器不能正常工作。

线路板上有2只精密的电位器，其中标记“ZERO”的是零点调节电位器，标记“SPAN”的是增益调节电位器。

2.3.1 电流输出（4~20mA）调整

步骤一：按2.2进行接线并检查；

步骤二：承载装置处于空载，用电流表测量电流输出，调整标记“ZERO”电位器，使电流输出在4.000mA。

步骤三：给承载装置增加到满负荷（或中间某一负荷点：n%F.S），调整标记“SPAN”电位器，使电流输出为20.000mA（或4+n%*16）。

步骤四：重复步骤二、三，直到结果正确为止。

2.3.2 电压输出（0~5V或0~10V）调整

以0~10V为例：

步骤一：按2.2进行接线并检查；

步骤二：承载装置处于空载，用电压表测量电压输出，调整标记“ZERO”电位器，使电压输出0.000V。

步骤三：给承载装置增加到满负荷（或中间某一负荷点：n%F.S），调整标记“SPAN”电位器，使电压输出为10.000V（或10*n%V）。

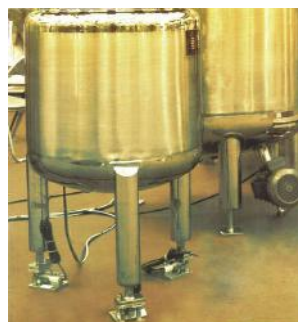
步骤四：重复步骤二、三，直到结果正确为止。

3.0 使用注意事项

调试完成后，及时用指甲油或蜡等凝固剂将电位器的调节螺丝封住，防止振动或其他原因对电位器的影响；

注意盖好盒盖，穿线孔防水接头处拧紧，做到防尘防水。

应用现场



为客户量身定制产品,到用户现场提供解决方案

