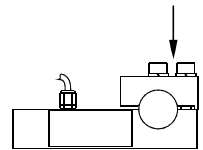
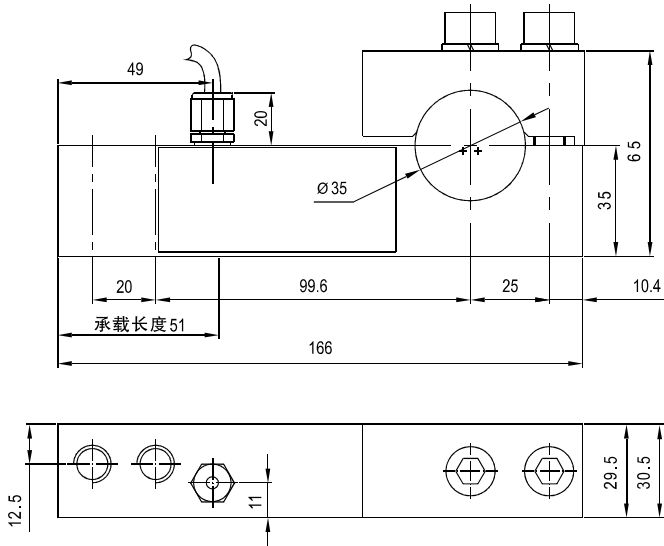


# SQB04 Load cells



工业测力场合、机械设备计量  
Industry tension-testing,  
mechanism counting equipment

## Specifications 技术说明 Exc+激励正 (Red,红);Exc-激励负(Black,黑);Sig+信号正(Green,绿);Sig-信号负(White,白)

Item 项目	Unit 单位	Parameter 参数
Accuracy class to OIML R60 精度等级		D1
<b>Maximum capacity (E<sub>max</sub>) 额定载荷</b>	<b>kg</b>	<b>100,250,500,850</b>
Minimum LC verification interval (V <sub>min</sub> ) 最小检定分度值	% of E <sub>max</sub>	0.0200
<b>Sensitivity (C<sub>n</sub>) / Zero balance 灵敏度/零点平衡</b>	<b>mV/V</b>	<b>2.0 ± 0.002 / 0 ± 0.02</b>
Temperature effect on zero balance (TK <sub>0</sub> ) 温度对零点影响	% of C <sub>n</sub> /10K	±0.02
Temperature effect on sensitivity (TK <sub>c</sub> ) 温度对灵敏度影响	% of C <sub>n</sub> /10K	±0.02
Hysteresis error (d <sub>hy</sub> ) 滞后误差	% of C <sub>n</sub>	±0.1000
Non-linearity(d <sub>lin</sub> ) 非线性误差	% of C <sub>n</sub>	±0.0500
Creep(d <sub>cr</sub> ) over 30 min. 蠕变及蠕变恢复	% of C <sub>n</sub>	±0.030
<b>Input (R<sub>Lc</sub>)&amp;Output resistance (R<sub>o</sub>) 输入&amp;输出电阻</b>	<b>Ω</b>	<b>400 ± 10 &amp; 352 ± 3</b>
<b>Nominal range of excitation voltage (B<sub>u</sub>) 额定电压</b>	<b>V</b>	<b>5~12</b>
Insulation resistance (R <sub>is</sub> ) at 50Vdc 绝缘电阻	MΩ	≥5000
Service temperature range (B <sub>tu</sub> ) 工作温度	°C	-30...+70
Safe load limit (EL) & Breaking load (E <sub>d</sub> ) 安全承载&破坏载荷	% of E <sub>max</sub>	150 & 300
<b>Protection class according to EN 60 529 (IEC 529) 保护等级</b>		<b>100kg~250kg:IP67;500kg~850kg:IP68</b>
Material :Measuring element 材料: 测量元件 Cable fitting 电缆配件 Cable sheath 电缆护套		Stainless or alloy steel Stainless steel or nickel-plated brass PVC
Maximum capacity (E <sub>max</sub> ) 额定载荷	kg	100    250    500    850
Deflection at E <sub>max</sub> (s <sub>nom</sub> ) ,approx 最大载荷下的变形量	mm	<0.65
Weight(G),approx 重量	kg	1.5
Cable 电缆: Diameter 直径: Ø5mm Length 长度	m	1.5