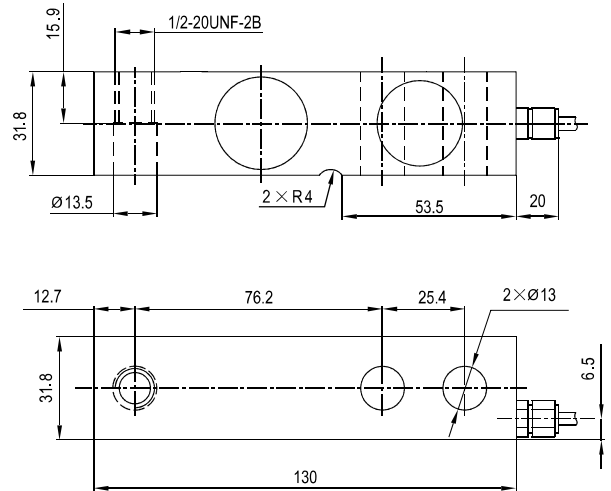
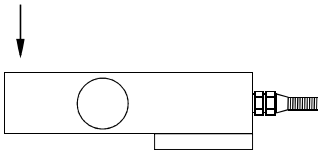


SQB03

Load cells



地上衡、配料秤、低平台秤
Floor scale, blending scale, low platform scale

Specifications 技术说明 Exc+激励正 (Red,红);Exc-激励负(Black,黑);Sig+信号正(Green,绿);Sig-信号负(White,白)

Item 项目	Unit 单位	Parameter 参数		
Accuracy class to OIML R60 精度等级		C2	C 3	
Maximum capacity (Emax) 额定载荷	klb	1,2,4		
Minimum LC verification interval (Vmin) 最小检定分度值	% of Emax	0.0200	0.0100	
Sensitivity (Cn) / Zero balance 灵敏度/零点平衡	mV/V	3.0 ± 0.003 / 0 ± 0.03		
Temperature effect on zero balance (TKo) 温度对零点影响	% of Cn/10K	±0.02	±0.0170	
Temperature effect on sensitivity (TKc) 温度对灵敏度影响	% of Cn/10K	±0.02	±0.0170	
Hysteresis error (dhy) 滞后误差	% of Cn	±0.0270	±0.0180	
Non-linearity(dlin) 非线性误差	% of Cn	±0.0250	±0.0167	
Creep(dcr) over 30 min. 蠕变及蠕变恢复	% of Cn	±0.030	±0.0167	
Input (RLc) & Output resistance (Ro) 输入&输出电阻	Ω	400 ± 10 & 352 ± 3		
Nominal range of excitation voltage (Bu) 额定电压	V	5~12		
Insulation resistance (Ris) at 50Vdc 绝缘电阻	MΩ	≥5000		
Service temperature range (Btu) 工作温度	℃	-30...+70		
Safe load limit (EL) & Breaking load(Ed) 安全承载&破坏载荷	% of Emax	150 & 250		
Protection class according to EN 60 529 (IEC 529) 保护等级		1klb:IP67;2klb~4klb:IP68		
Material :Measuring element 材料: 测量元件 Cable fitting 电缆配件 Cable sheath 电缆护套		Stainless or alloy steel Stainless steel or nickel-plated brass PVC		
Maximum capacity (Emax) 额定载荷	klb	1	2	4
Deflection at Emax (snom) ,approx最大载荷下的变形量	mm	0.65		
Weight(G),approx 重量	kg	1.0		
Cable 电缆: Diameter 直径: Ø6mm Length长度	m	6		