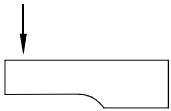
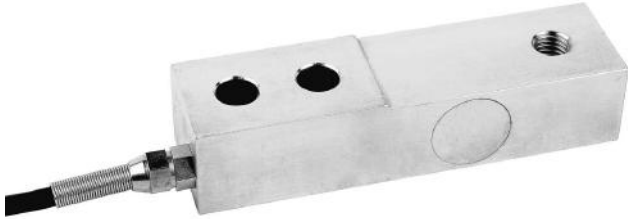
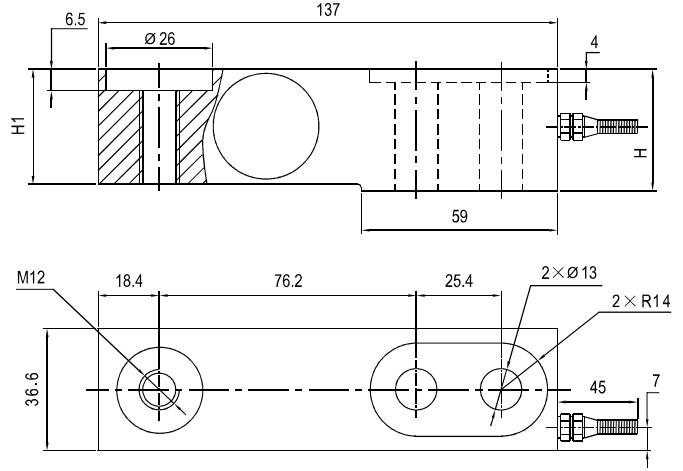


SB03/SB04

Load cells



叉车秤、低平台秤、平台秤
Forklift scale, low platform scale, platform scale



Type 型号	SB03	SB04
H	36.6	31
H1	34.5	29

Specifications 技术说明

Exc+激励正 (Red,红);Exc-激励负(Black,黑);Sig+信号正(Green,绿);Sig-信号负(White,白)

Item 项目	Unit 单位	Parameter 参数
Accuracy class to OIML R60 精度等级		C2
Maximum capacity (Emax) 额定载荷	t	1
Minimum LC verification interval (Vmin)最小检定分度值	% of Emax	0.0200
Sensitivity (Cn) / Zero balance 灵敏度/零点平衡	mV/V	2.0 ± 0.002 / 0 ± 0.02
Temperature effect on zero balance (TK0) 温度对零点影响	% of Cn/10K	± 0.02
Temperature effect on sensitivity (TKc) 温度对灵敏度影响	% of Cn/10K	± 0.02
Hysteresis error (dhy) 滞后误差	% of Cn	± 0.0270
Non-linearity(dlin) 非线性误差	% of Cn	± 0.0250
Creep(dcr) over 30 min. 蠕变及蠕变恢复	% of Cn	± 0.030
Input (RLc) & Output resistance (Ro) 输入&输出电阻	Ω	400 ± 10 & 352 ± 3
Nominal range of excitation voltage (Bu) 额定电压	V	5~12
Insulation resistance (Ris) at 50Vdc 绝缘电阻	MΩ	≥ 5000
Service temperature range (Btu) 工作温度	°C	-30...+70
Safe load limit (EL) & Breaking load(Ed) 安全承载&破坏载荷	% of Emax	150 & 300
Protection class according to EN 60 529 (IEC 529) 保护等级		IP67
Material :Measuring element 材料: 测量元件 Cable fitting 电缆配件 Cable sheath 电缆护套		Stainless or alloy steel Stainless steel or nickel-plated brass PVC

Type 型号		SBC	SBF
Weight(G),approx 重量	kg	1.2	1.1
Deflection at Emax (snom) ,approx 最大载荷下的变形量	mm	< 0.6	
Cable 电缆: Diameter 直径: ∅6mm Length长度	m	1.5	