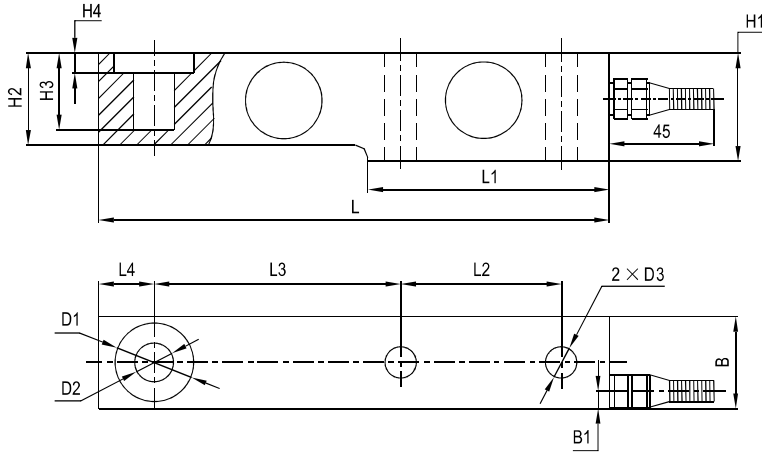


# SB01 Load cells



地上衡、配料秤、料斗秤、  
平面台秤

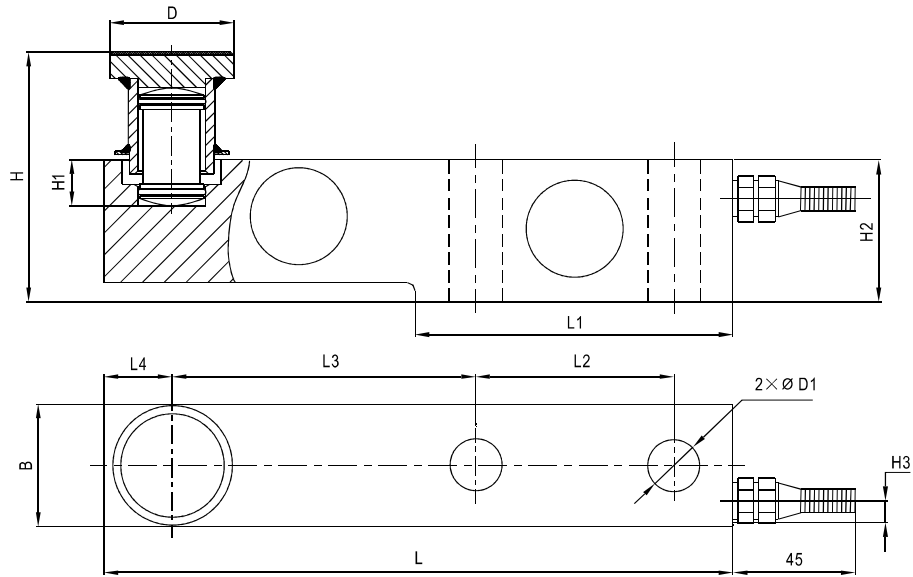
Floor scale, blending scale,  
hopper scale, platform scale

Emax[t]	L	L1	L2	L3	L4	H1	H2/B	B1	H3	H4	D1	D2	D3
0.5,1,2,3	203	95	64	98	22	43	36.6	7	30.5	8	∅32	∅16	∅13
5,7.5,8	235	110	66	124	22	52	48	7	30	12	∅38	∅22	∅21
10,15	279	133	82	140	32	67	60	8.5	20	8.5	∅48	∅32	∅28
20,25	318	153	89	159	38	82.5	70	9.5	24	9.5	∅54	∅38	∅34

## Specifications 技术说明 Exc+激励正 (Red,红);Exc-激励负(Black,黑);Sig+信号正(Green,绿);Sig-信号负(White,白)

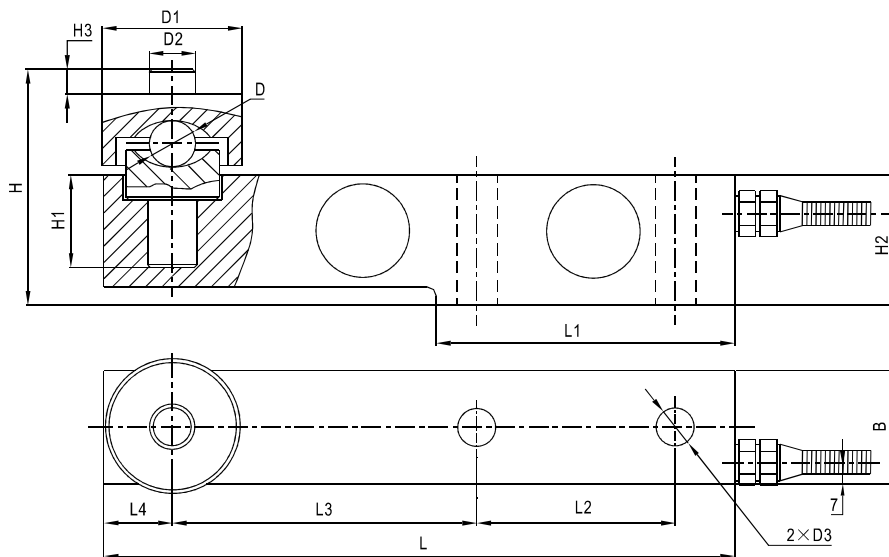
Item 项目	Unit 单位	Parameter 参数	
		C2	C3
Accuracy class to OIML R60 精度等级		C2	C3
<b>Maximum capacity (Emax) 额定载荷</b>	<b>t</b>	<b>0.5,1,2,3,5,7.5,8,10,15,20,25</b>	
Minimum LC verification interval (Vmin) 最小检定分度值	% of Emax	0.0200	0.0100
<b>Sensitivity (Cn) / Zero balance 灵敏度/零点平衡</b>	<b>mV/V</b>	<b>2.0 ± 0.002 / 0 ± 0.02</b>	
Temperature effect on zero balance (TK0) 温度对零点影响	% of Cn/10K	±0.02	±0.0170
Temperature effect on sensitivity (TKc) 温度对灵敏度影响	% of Cn/10K	±0.02	±0.0170
Hysteresis error (dhy) 滞后误差	% of Cn	±0.0270	±0.0180
Non-linearity(dlin) 非线性误差	% of Cn	±0.0250	±0.0167
Creep(dcr) over 30 min. 蠕变及蠕变恢复	% of Cn	±0.0233	±0.0167
<b>Input (RLc) &amp; Output resistance (Ro) 输入&amp;输出电阻</b>	<b>Ω</b>	<b>400 ± 10 &amp; 352 ± 3</b>	
<b>Nominal range of excitation voltage (Bu) 额定电压</b>	<b>V</b>	<b>5~12</b>	
Insulation resistance (Ris) at 50Vdc 绝缘电阻	MΩ	>5000	
Service temperature range (Btu) 工作温度	°C	-30...+70	
Safe load limit (EL) & Breaking load(Ed) 安全承载&破坏载荷	% of Emax	150 & 300(0.5t~5t);120&200(8t~25t)	
<b>Protection class according to EN 60 529 (IEC 529) 保护等级</b>		<b>500kg:IP67;1t~25t:IP68</b>	
Material :Measuring element 材料: 测量元件 Cable fitting 电缆配件 Cable sheath 电缆护套		0.5t...5t:Stainless or alloy steel 10t...25t: alloy steel Stainless steel or nickel-plated brass PVC	
Maximum capacity (Emax) 额定载荷	t	0.5,1,2	3 5 7.5/8 10 15 20 25
Deflection at Emax (snom), approx 最大载荷下的变形量	mm	<1	<1.2 <1.5 <1.2 <1.5
Weight(G), approx 重量	kg	2.2	4.2 8.0 11.5
Cable 电缆: Diameter 直径: ∅6mm Length 长度	m	2.6	3.5 5.2 7 12 12

总装图 A



Emax[t]	L	L1	L2	L3	L4	B	H	H1	H2	H3	D	D1
0.5,1,2,3	203	95	64	98	22	36.6	58	30.5	43	7	Ø35	Ø13
5,7.5,8	235	110	66	124	22	48	81	30	52	7	Ø42	Ø21
10,15	279	133	82	140	32	60	128	20	67	8.5	Ø57	Ø28
20,25	318	153	89	159	38	70	144	24	82.5	9.5	Ø70	Ø34

总装图 B



Emax[t]	L	L1	L2	L3	L4	B	H	H1	H2	H3	D	D1	D2	D3
0.5,1,2,3	203	95	64	98	22	36.6	79	30.5	43	9	Ø16	Ø45	Ø15	Ø13
5,7.5,8	235	110	66	124	22	48	104	30	52	10	Ø25	Ø52	Ø21	Ø21