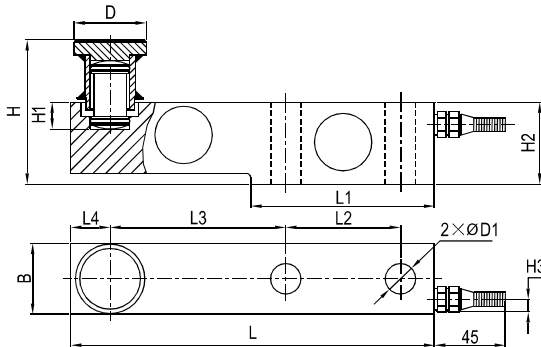


SB01-D Digital Load cells

Special features 特点

- Digital output signal (RS-485/4-wire)
- Nominal(rated) loads:0.5t...25t
- Self restoring
- Laser welded,IP68
- Inbuild overvoltage protection
- 数字信号输出 (RS485/四线制)
- 额定量程范围: 0.5t ~ 25t
- 不倒翁自复位
- 激光焊接, IP68
- 内置过电压保护



| Emax[t] | L | L1 | L2 | L3 | L4 | B | H | H1 | H2 | H3 | D | D1 |
|-----------|-----|-----|----|-----|----|------|-----|------|------|-----|-----|-----|
| 0.5,1,2,3 | 203 | 95 | 64 | 98 | 22 | 36.6 | 58 | 30.5 | 43 | 7 | ø35 | ø13 |
| 5,8 | 235 | 110 | 66 | 124 | 22 | 48 | 81 | 30 | 52 | 7 | ø42 | ø21 |
| 10,15 | 279 | 133 | 82 | 140 | 32 | 60 | 128 | 20 | 67 | 8.5 | ø57 | ø28 |
| 20,25 | 318 | 153 | 89 | 159 | 38 | 70 | 144 | 24 | 82.5 | 9.5 | ø70 | ø34 |

Specifications 技术说明

| Item 项目 | Unit 单位 | Parameter 参数 | |
|---|--------------|---|---------|
| Accuracy class to OIML R60 精度等级 | | C 1 | C 3 |
| Maximum capacity (Emax) 额定载荷 | t | 0.5,1,2,3,5,8,10,15,20,25 | |
| Minimum LC verification interval (Vmin) 最小检定分度值 | % of Emax | 0.0200 | 0.0100 |
| Sensitivity (Cn) 灵敏度 | digit | 1 000 000 | |
| Temperature effect on zero balance (TKo) 温度对零点影响 | % of Cn/10K | ±0.02 | ±0.0170 |
| Temperature effect on sensitivity (TKc) 温度对灵敏度影响 | % of Cn/10K | ±0.02 | ±0.0170 |
| Hysteresis error (dhy) 滞后误差 | % of Cn | ±0.0270 | ±0.0180 |
| Non-linearity(dlin) 非线性误差 | % of Cn | ±0.0250 | ±0.0167 |
| Creep(dcr) over 30 min. 蠕变及蠕变恢复 | % of Cn | ±0.030 | ±0.0167 |
| Current consumption 电流损耗 | mA | <21 | |
| Baudrate 波特率 | Baud | 9600 | |
| Number of bus addresses 总线地址数 | | max.32 | |
| Nominal range of excitation voltage (Bu) 额定电压 | V(DC) | 7~12 | |
| Asynchrone Interface 异步接口 | | RS485/4-Wire | |
| Service temperature range (Btu) 工作温度 | ℃ | -20...+60 | |
| Safe load limit (EL)&Breaking load(Ed) 安全承载&破坏载荷 | % of Emax | 150 & 300 | |
| Protection class according to EN 60 529 (IEC 529) 保护等级 | | IP68 | |
| Material :Measuring element 材料:测量元件 | | 0.5t...5t:Stainless or alloy steel | |
| Cable fitting 电缆配件 | | 10t...25t: alloy steel | |
| Cable sheath 电缆护套 | | Stainless steel or nickel-plated brass PVC | |

| Maximum capacity (Emax) 额定载荷 | t | 0.5 | 1 | 2 | 3 | 5 | 8 | 10 | 15 | 20 | 25 |
|---|----|------|---|------|---|------|---|------|----|----|----|
| Deflection at Emax (snom) ,approx 最大载荷下的变形量 | mm | <0.5 | | <0.6 | | <0.7 | | <0.8 | | | |
| Weight(G),approx 重量 | kg | 2.2 | | 4.2 | | 8.0 | | 11.5 | | | |
| Cable 电缆: Diameter 直径: ø6mm Length长度 | m | 2.6 | | 3.5 | | 5.2 | | 7 | | 12 | |

Maxium Transmitting Distance 最大传输距离

| 单根导线截面积(mm ²) | 0.12 | 0.3 | 0.5 | 0.8 | 1 | 1.2 |
|---------------------------|------|-----|-----|-----|-----|------|
| 最大传输距离(m) | 110 | 270 | 450 | 730 | 910 | 1000 |

Wiring code 配线

