

QS05

Self-restoring load cells



Special features 特点

- Self-restoring function
- Nominal loads: 5t ... 50t
- Simple to install
- Laser welded, IP68
- Legal for trade verification
- Optimized for parallel connection by corner pre-adjustment
- Meets EMC/ESD requirements according to EN 45 501
- 自复位功能
- 额定称重范围: 5t-50t
- 激光焊接IP68
- 贸易许可认证
- 经过角差预调整适合并联使用(按EN 45 501)

汽车衡、轨道衡、配料秤及专用衡器
Truck scale, railway scale, blending scale and special scale

Specifications 技术说明 Exc+激励正 (Red,红);Exc-激励负(Black,黑);Sig+信号正(Green,绿);Sig-信号负(White,白)

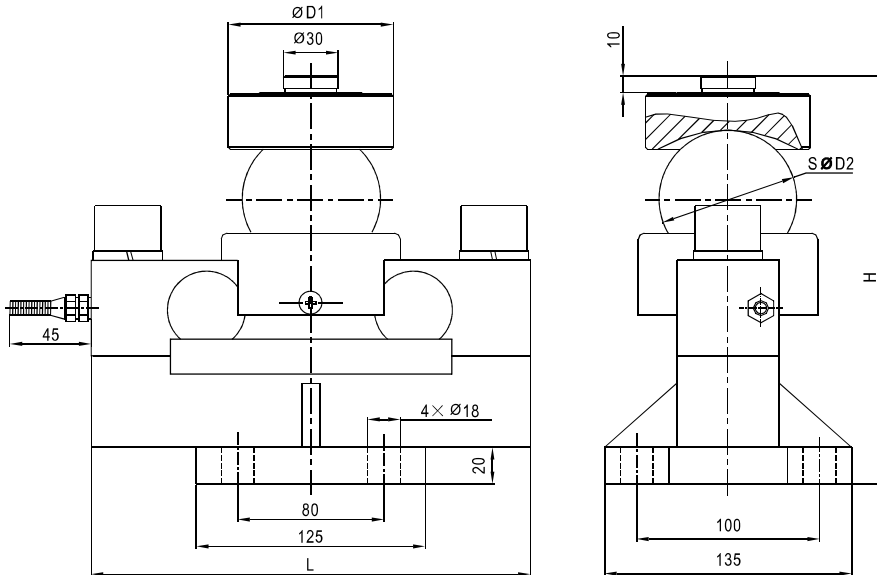
| Item 项目 | Unit 单位 | Parameter 参数 | |
|---|-------------|-------------------------------|---------|
| Accuracy class to OIMLR 60 精度等级 | | C 2 | C 3 |
| Maximum capacity (Emax) 额定载荷 | t | 5,10,15,20,25,30,40,50 | |
| Minimum LC verification interval (Vmin) 最小检定分度值 | % of Emax | 0.0200 | 0.0100 |
| Sensitivity (Cn) / Zero balance 灵敏度/零点平衡 | mV/V | 2.0 ± 0.002 / 0 ± 0.02 | |
| Temperature effect on zero balance (TK0) 温度对零点影响 | % of Cn/10K | ±0.02 | ±0.0170 |
| Temperature effect on sensitivity (TKc) 温度对灵敏度影响 | % of Cn/10K | ±0.02 | ±0.0170 |
| Hysteresis error (dny) 滞后误差 | % of Cn | ±0.0330 | ±0.0180 |
| Non-linearity(dlin) 非线性误差 | % of Cn | ±0.0250 | ±0.0167 |
| Creep(dcr) over 30 min. 蠕变及蠕变恢复 | % of Cn | ±0.030 | ±0.0167 |
| Input (RLC) & Output resistance (Ro) 输入&输出电阻 | Ω | 750 ± 10 & 703 ± 2 | |
| Nominal range of excitation voltage (Bu) 额定电压 | V | 5~12 | |
| Insulation resistance (Ris) at 50Vdc 绝缘电阻 | MΩ | ≥5000 | |
| Service temperature range (Btu) 工作温度 | °C | -30...+70 | |
| Safe load limit (EL) & Breaking load (Ed) 安全承载&破坏载荷 | % of Emax | 150 & 300 | |
| Protection class according to EN 60 529 (IEC 529) 保护等级 | | IP68 | |
| Material :Measuring element 材料: 测量元件 | | Stainless or alloy steel | |

| | | | | | | | | | |
|---|----|--------|--------|--------|-------------------|---------|---------|--------------------|---------------------|
| Maximum capacity (Emax) 额定载荷 | t | 5 | 10 | 15 | 20 | 25 | 30 | 40 | 50 |
| Min. scale verification (emin) according to EN 45 501 [...#]=max. Number of load cells] 秤的最小检定分度值 | kg | 2 [4#] | 5 [6#] | 5 [6#] | 5 [6#] 10 [8#] | 10 [8#] | 10 [8#] | 10 [6#] 20 [8#] | 10 [4#] 20 [10#] |
| Recommended maximum weighing capacity of scale 推荐秤的额定载荷 | t | 10 | 20 | 30 | 50 80 | 80 | 100 | 100 150 | 100 200 |
| Deflection at Emax (snom), approx 最大载荷下的变形量 | mm | 0.5 | 0.65 | | | | | | 0.85 |
| Weight(G), approx 重量 | kg | 11.3 | 16.5 | | | | | | 25.6 |
| Cable 电缆: Diameter 直径: ∅6mm Length 长度 | m | 5.2 | 8 | 10 | 10/12 | 12/15 | 12/16 | 16 | 16 |

双剪切式 Double Ended Shear Beam

Dimensions(in mm; 1 mm=0.03937 inches) 尺寸

5~40t



| Emax[t] | 5 | 10,15,20, 25,30 | 40 |
|---------|-------|--------------------|-------|
| D1 | 68 | 88 | 88 |
| D2 | 50.8 | 76.2 | 76.2 |
| H | 168.8 | 224.7 | 230.7 |
| L | 224 | 240 | 240 |

50t

